

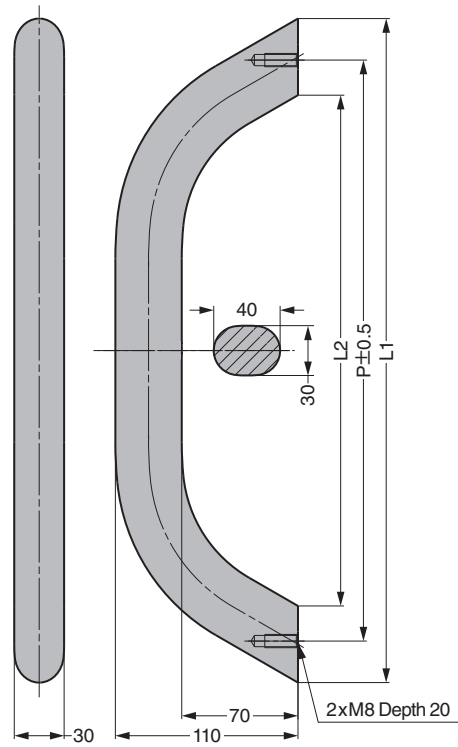
## MACHINERY HANDLE MGH



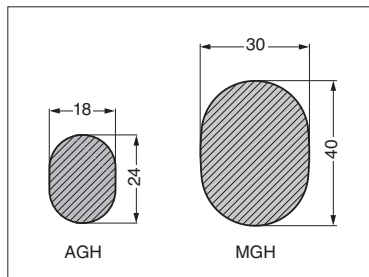
- Cross-section is thicker than the AGH **1**, which makes this handle suitable for use in large machine tools.
- Ideal for inset sliding doors. The handle is designed to be higher than common handles, which prevents hands from accidentally hitting the doorframe when sliding.
- Back side of the handle is large and round, which prevents hands from hurting even when grasping tightly.
- Easy-to-use design. The ellipse cross-section allows it to comfortably fit a human hand.

**[Remarks]**

- Load capacity represents the strength of the pull itself. Actual load capacity may vary depending on wall and cabinet materials. Please install the pull at places with sufficient strength or in places that are reinforced.
- Surface colour of installation side may discolour. This does not affect the performance.



**[Cross-section]**



Can be used with the AGH **1** for design harmonisation.

RoHS	CAD	Item Code	Item Name	Material	Finish	L <sub>1</sub>	L <sub>2</sub>	P	Load Capacity		Weight (g)	Box (pc)
									N	kgf		
●	●	100-043-775	MGH-350SL	Aluminium Alloy	Matte Silver/Anodised	400	308	350	1000	102	1170	1
●	●	100-043-776	MGH-350BL		Matte Black/Anodised							1
●	●	100-043-777	MGH-550SL		Matte Silver/Anodised	600	508	550			1710	1
●	●	100-043-778	MGH-550BL		Matte Black/Anodised							1
●	●	100-043-779	MGH-750SL		Matte Silver/Anodised	800	708	750			2250	1
●	●	100-043-780	MGH-750BL		Matte Black/Anodised							1

Refer to **1** : No.240A P.11-7