

LEVER HANDLE / HINGE FOR GLASS DOOR



ZL-1601, ZL-1702

Zwei L

Zwei L represents the very pinnacle of ultra-premium Japanese hardware design. Contrasting bands of mirror finish and lustrous satin on a faceted profile give jewel like highlights which flatter any architectural space.

Zwei L®



Video Link



ARCHITECTURAL  
DOOR HARDWARE

FOR GLASS DOORS

LEVER HANDLE / HINGE FOR GLASS DOOR



Hinge ZL-1702 (P.463)

Suitable Glass : Tempered Glass  
 Door Thickness : 8,10 mm  
 Max Door Width : 900 mm  
 Max Door Weight : 50 kg  
 Material : SUS316  
 Finish : Zwei L Finish

**Features**  
 Superior finish of Mirror/Satin.



P.715



P.715



ZL-1103+ZL-1601-1

P.715

Lever Handle

Item Code	Item Name	Weight	Box
260-177-001	ZL-1101	1.2 kg	1 pair

Lever Handle

Item Code	Item Name	Weight	Box
260-177-002	ZL-1102	1.1 kg	1 pair

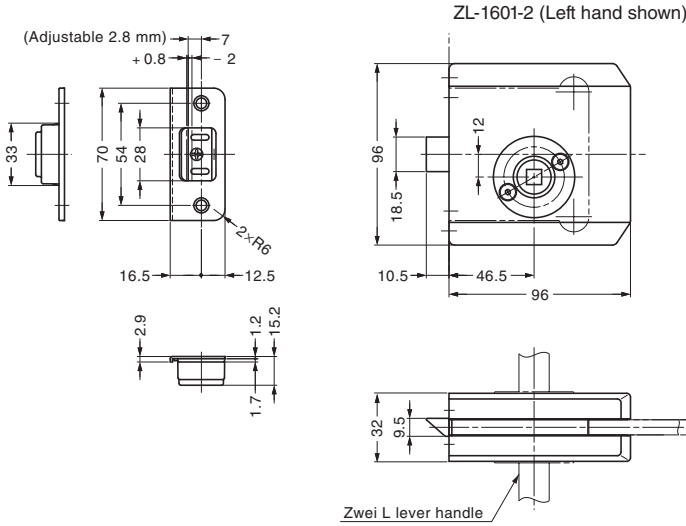
Lever Handle+Case Latch ZL-1601

Item Code	Item Name	Weight	Box
260-025-580	ZL-1103+ZL-1601-1	2.8 kg	1 set
260-025-581	ZL-1103+ZL-1601-2		

2 handles and 1 case latch included per set.



Case Latch

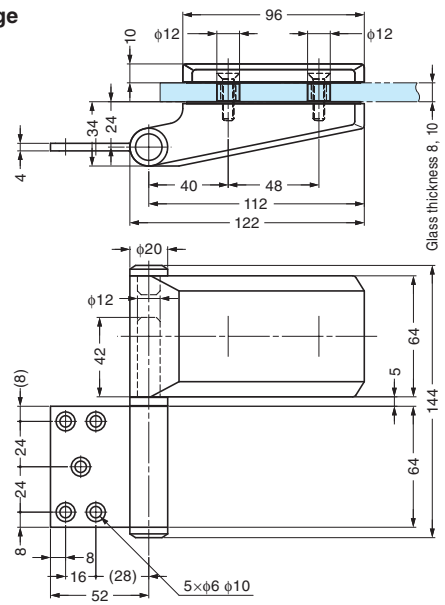


Parts Included

- Countersunk head screw 3.5x22 (SUS)
- Screw M4x12 (SUS)
- Allen key

Item Code	Item Name	Type
260-177-000	ZL-1601-1	Right hand
260-170-783	ZL-1601-2	Left hand

Hinge

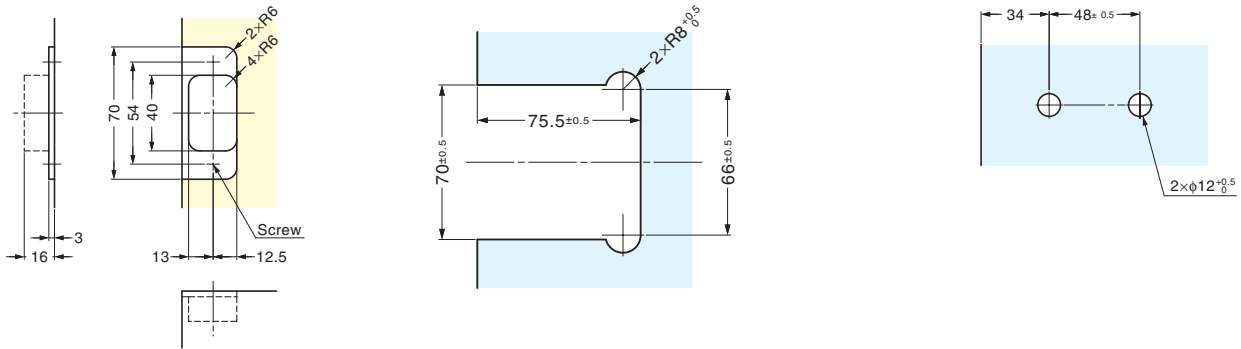


Parts Included

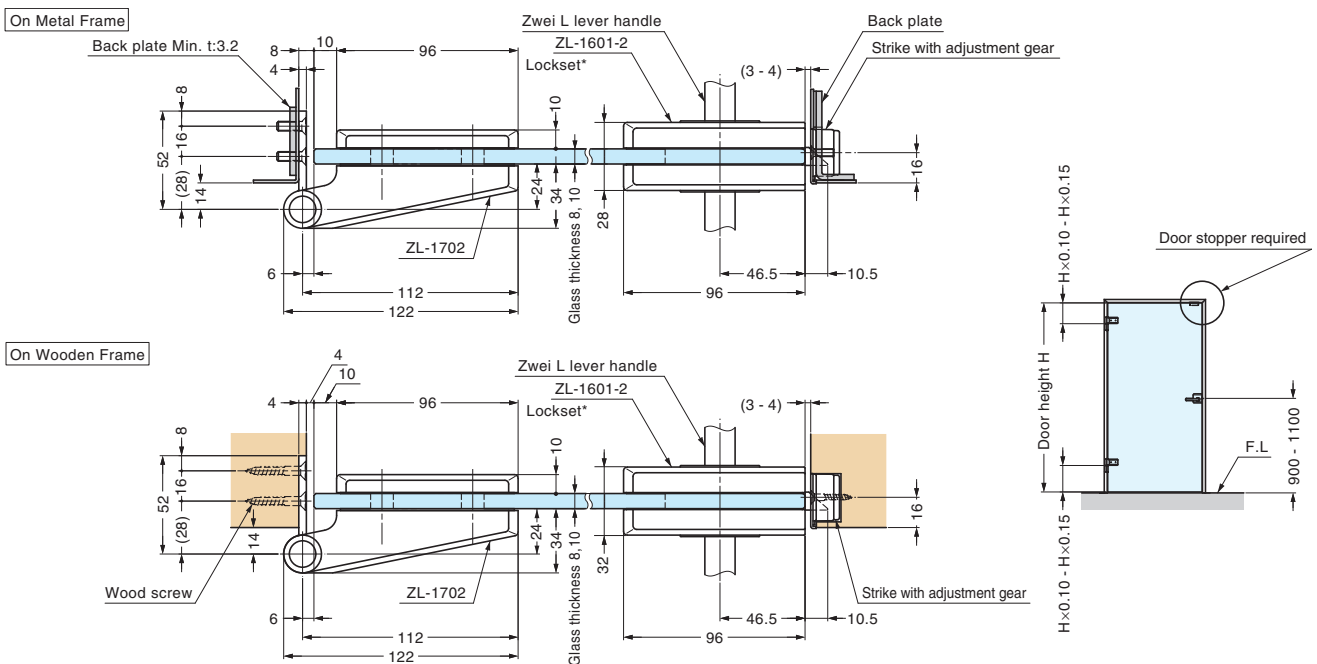
- Countersunk head screw 4.8x32 (SUS)
- Screw M5x16 (SUS)
- Allen key

Item Code	Item Name
170-183-400	ZL-1702

Cut Out Dimensions



Installation Left hand opening is shown.



\* Use ZL1601-1 for right hand opening.