

LEVER HANDLE



ZL-1101, ZL-1102, ZL-1103

Zwei L

Zwei L represents the very pinnacle of ultra-premium Japanese hardware design. Contrasting bands of mirror finish and lustrous satin on a faceted profile give jewel like highlights which flatter any architectural space.

Zwei L®



Video Link



ARCHITECTURAL DOOR HARDWARE

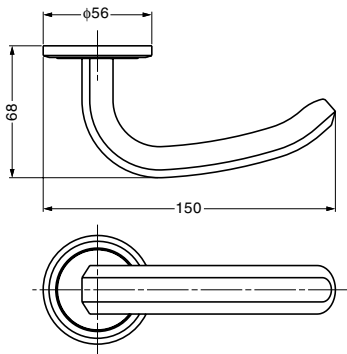
LEVER HANDLE

Features

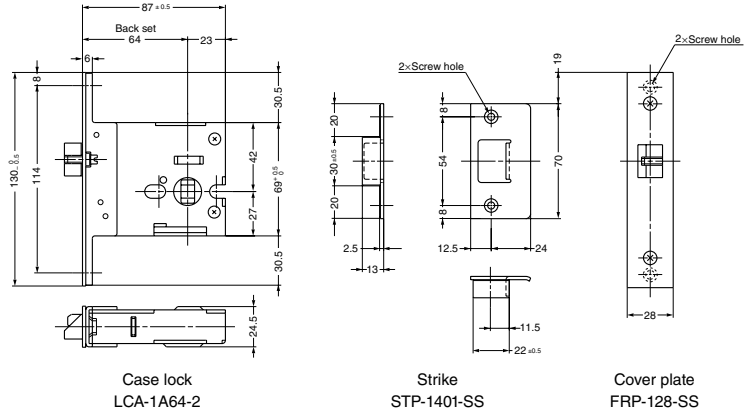
- Superior finish of Mirror/Satin.
- For door of thickness 36-42 mm.
- 2 handles included per unit.

Dimensions

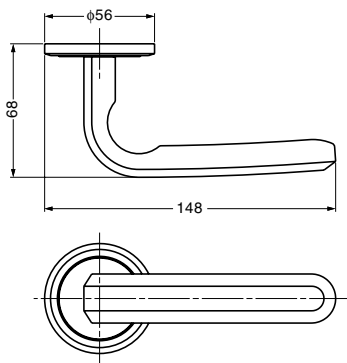
STAINLESS STEEL LEVER HANDLE ZL-1101



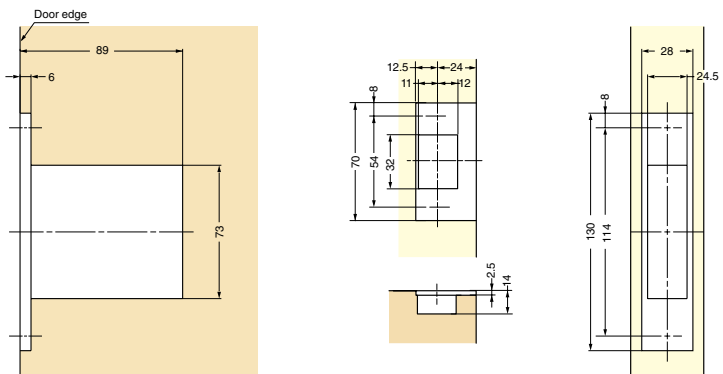
STAINLESS STEEL CASE LOCK / STRIKE / FRONT PANEL



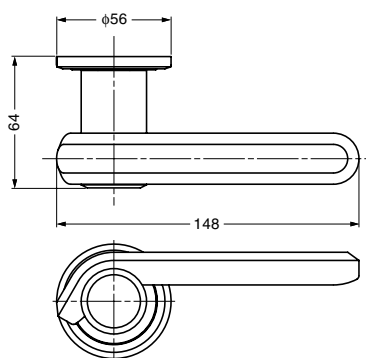
STAINLESS STEEL LEVER HANDLE ZL-1102



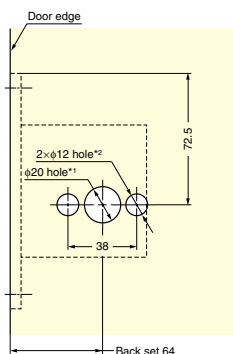
Cut Out Dimensions



STAINLESS STEEL LEVER HANDLE ZL-1103



Cut Out Dimensions for Mounting Hole




For lever handle, mounting hole size is as follows;

*1 : $\phi 25$ hole

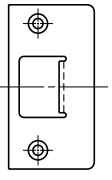
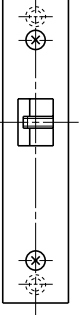
*2 : $\phi 6$ hole x2



Parts Set		Necessary Parts	
Please refer to "Qty [a] - [c]" for parts included in each set.			
	Item Code	Item Name	Part Name
[a]	260-174-117	ZL-1101-R-1B	Lever Handle 
[b]	260-174-124	ZL-1102-R-1B	Lever Handle 
[c]	260-174-131	ZL-1103-R-1B	Lever Handle 

Parts Included

No.	Qty			Part Name
	a	b	c	
1	1 pair	-	-	 <p>LEVER HANDLE (Hex key included.)</p>
2	-	1 pair	-	 <p>LEVER HANDLE (Hex key included.)</p>
3	-	-	1 pair	 <p>LEVER HANDLE (Hex key included.)</p>
4	1 pc	1 pc	1 pc	 <p>CASE LOCK LCA-1A64-2</p>

No.	Qty			Part Name
	a	b	c	
5	1 pc	1 pc	1 pc	 <p>STRIKE STP-1401-SS</p>
6	1 pc	1 pc	1 pc	 <p>COVER PLATE FRP-128-SS</p>

Application Example

