

Flat suction cup (round)

<https://www.schmalz.com/10.01.01.11169>



PFG 60 HT1-60 N009
M10x1.25-IG

Part no.: 10.01.01.11169

Homepage > Vacuum Technology for Automation > Vacuum Components > Vacuum Suction Cups > Flat Suction Cups (Round) > PFG 60 HT1-60

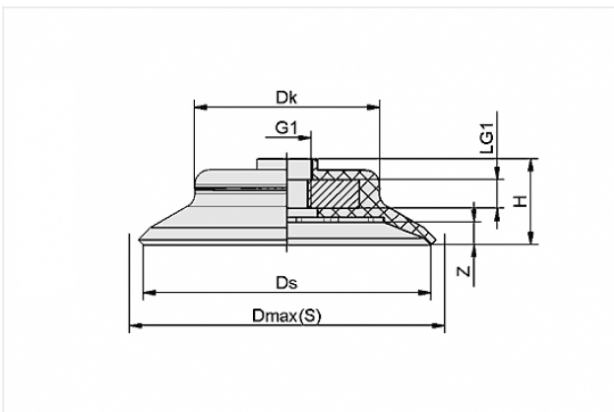
N009 M10x1.25-IG

Flat suction cup (round) for smooth or slightly rough surfaces



Size: 60
Suction cup material:
High temp material HT1
Material hardness: 60 °Sh
Connection thread: M10x1.25-F
Material property: imprint-free

Design Data



| Attribute | Value |
|-----------|------------|
| Dk | 38.7 mm |
| Dmax(S) | 64 mm |
| Ds | 60 mm |
| G1 | M10x1.25-F |
| H | 18 mm |
| LG1 | 6 mm |
| Z | 4.7 mm |

Technical Data

| Attribute | Value |
|---------------|-------|
| Suction force | 125 N |

Contact to Schmalz

J. Schmalz GmbH | Johannes-Schmalz-Straße, 72293 Glatten, Deutschland | +49 7443 2403-102 | customercenter@schmalz.de

| Attribute | Value |
|-----------------------------|------------------------|
| Volume | 11.846 cm ³ |
| Curve radius (min) (convex) | 100 mm |
| Size | 60 |
| Nipple | N 009 |
| Number of folds | 0 |
| Suction cup material | High temp material HT1 |
| Material hardness | 60 °Sh |
| Weight | 24.2 g |
| Product family | PFG |

Accessories



SU 60

Part no. 10.01.01.13585

Cover for suction cup

Size: 60

Temperature resistance: 80 °C



SA-NIP N009 G1/4-AG

Part no. 10.01.01.10097

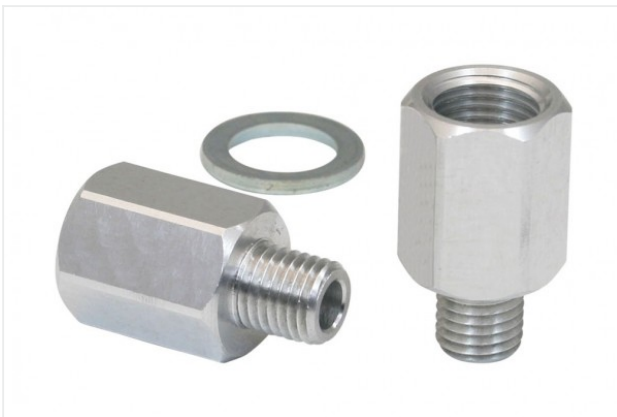
Suction-pad connection nipple pre-assembly

Nipple: N 009

Thread 1: G1/4-M

Length: 5 mm

for: Flat suction pad PFG



SA-NIP N009 G1/4-IG

Part no. 10.01.01.10096

Suction cup connection nipple pre-assembly

Nipple: N 009

Thread G1: G1/4"-F

Length L: 23 mm

for: Flat suction pad PFG