

# Suction cup connection nipple (inst)

<https://www.schmalz.com/10.01.01.10096>



## SA-NIP N009 G1/4-IG

Part no.: 10.01.01.10096

Homepage > Vacuum Technology for Automation > Vacuum Components > Vacuum Suction Cups > Flat Suction Cups (Round) > SA-NIP N009

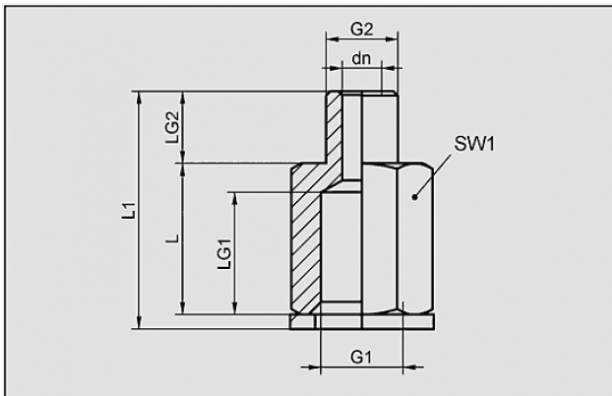
G1/4-IG

## Suction cup connection nipple pre-assembly



Nipple: N 009  
Thread G1: G1/4"-F  
Length L: 23 mm  
for: Flat suction pad PFG

## Design Data



| Attribute | Value |
|-----------|-------|
|-----------|-------|

|    |        |
|----|--------|
| dn | 5.5 mm |
|----|--------|

|    |         |
|----|---------|
| G1 | G1/4"-F |
|----|---------|

|    |            |
|----|------------|
| G2 | M10x1.25-M |
|----|------------|

|   |       |
|---|-------|
| L | 23 mm |
|---|-------|

|    |       |
|----|-------|
| L1 | 33 mm |
|----|-------|

|     |       |
|-----|-------|
| LG1 | 12 mm |
|-----|-------|

|     |       |
|-----|-------|
| SW1 | 17 mm |
|-----|-------|

## Technical Data

| Attribute | Value |
|-----------|-------|
|-----------|-------|

|        |       |
|--------|-------|
| Nipple | N 009 |
|--------|-------|

## Contact to Schmalz

J. Schmalz GmbH | Johannes-Schmalz-Straße, 72293 Glatten, Deutschland | +49 7443 2403-102 | [customercenter@schmalz.de](mailto:customercenter@schmalz.de)

| Attribute | Value |
|-----------|-------|
| Weight    | 12 g  |

## Accessories



### **PFG 60 FPM-65 N009 M10x1.25-IG**

Part no. 10.01.01.00078

Flat suction cup (round) for smooth or slightly rough surfaces

Size: 60

Suction cup material:

Fluorocautchuc FPM

Material hardness: 65 °Sh

Connection thread: M10x1.25-F

Material property: imprint-free



### **PFG 60 HT1-60 N009 M10x1.25-IG**

Part no. 10.01.01.11169

Flat suction cup (round) for smooth or slightly rough surfaces

Size: 60

Suction cup material:

High temp material HT1

Material hardness: 60 °Sh

Connection thread: M10x1.25-F

Material property: imprint-free



### **PFG 60 NBR-55 N009 M10x1.25-IG**

Part no. 10.01.01.00018

Flat suction cup (round) for smooth or slightly rough surfaces

Size: 60

Suction cup material:

Nitrile rubber NBR

Material hardness: 55 °Sh

Connection thread: M10x1.25-F

## Contact to Schmalz



**PFG 60 PU-55 N009 M10x1.25-IG**

Part no. 10.01.01.00058

Flat suction cup (round) for smooth or slightly rough surfaces

Size: 60

Suction cup material: Polyurethane PU

Material hardness: 55 °Sh

Connection thread: M10x1.25-F



**PFG 60 SI-55 N009 M10x1.25-IG**

Part no. 10.01.01.00038

Flat suction cup (round) for smooth or slightly rough surfaces

Size: 60

Suction cup material: Silicone SI

Material hardness: 55 °Sh

Material characteristics:

FDA-compatible

Connection thread: M10x1.25-F



**PFG 80 FPM-65 N009 M10x1.25-IG**

Part no. 10.01.01.00079

Flat suction cup (round) for smooth or slightly rough surfaces

Size: 80

Suction cup material:

Fluorocautchuc FPM

Material hardness: 65 °Sh

Connection thread: M10x1.25-F

Material property: imprint-free



**PFG 80 HT1-60 N009 M10x1.25-IG**

Part no. 10.01.01.11170

Flat suction cup (round) for smooth or slightly rough surfaces

Size: 80

Suction cup material:

High temp material HT1

Material hardness: 60 °Sh

Connection thread: M10x1.25-F

Material property: imprint-free



**PFG 80 NBR-55 N009 M10x1.25-IG**

Part no. 10.01.01.00019

Flat suction cup (round) for smooth or slightly rough surfaces

Size: 80

Suction cup material:

Nitrile rubber NBR

Material hardness: 55 °Sh

Connection thread: M10x1.25-F



**PFG 80 PU-55 N009 M10x1.25-IG**

Part no. 10.01.01.00059

Flat suction cup (round) for smooth or slightly rough surfaces

Size: 80

Suction cup material: Polyurethane PU

Material hardness: 55 °Sh

Connection thread: M10x1.25-F



**PFG 80 SI-55 N009 M10x1.25-IG**

Part no. 10.01.01.00039

Flat suction cup (round) for smooth or slightly rough surfaces

Size: 80

Suction cup material: Silicone SI

Material hardness: 55 °Sh

Material characteristics:

FDA-compatible

Connection thread: M10x1.25-F



**PFG 95 FPM-65 N009 M10x1.25-IG**

Part no. 10.01.01.00080

Flat suction cup (round) for smooth or slightly rough surfaces

Size: 95

Suction cup material:

Fluorocautchuc FPM

Material hardness: 65 °Sh

Connection thread: M10x1.25-F

Material property: imprint-free



**PFG 95 NBR-55 N009 M10x1.25-IG**

Part no. 10.01.01.00020

Flat suction cup (round) for smooth or slightly rough surfaces

Size: 95

Suction cup material:

Nitrile rubber NBR

Material hardness: 55 °Sh

Connection thread: M10x1.25-F



**PFG 95 PU-55 N009 M10x1.25-IG**

Part no. 10.01.01.00060

Flat suction cup (round) for smooth or slightly rough surfaces

Size: 95

Suction cup material: Polyurethane PU

Material hardness: 55 °Sh

Connection thread: M10x1.25-F



**PFG 95 SI-55 N009 M10x1.25-IG**

Part no. 10.01.01.00040

Flat suction cup (round) for smooth or slightly rough surfaces

Size: 95

Suction cup material: Silicone SI

Material hardness: 55 °Sh

Material characteristics:

FDA-compatible

Connection thread: M10x1.25-F