

Flat suction cup (round)

<https://www.schmalz.com/10.01.01.00078>



PFG 60 FPM-65 N009
M10x1.25-IG

Part no.: 10.01.01.00078

Homepage > Vacuum Technology for Automation > Vacuum Components > Vacuum Suction Cups > Flat Suction Cups (Round) > PFG 60 FPM-65

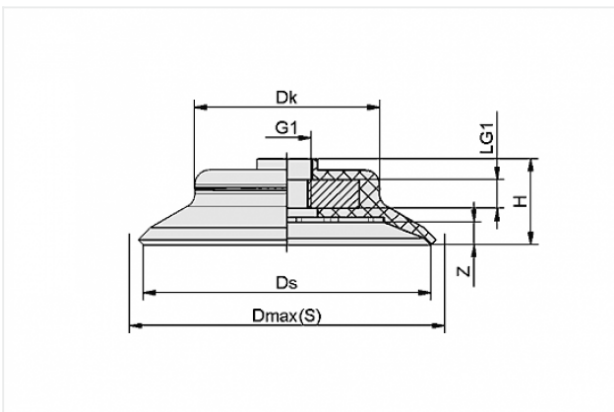
N009 M10x1.25-IG

Flat suction cup (round) for smooth or slightly rough surfaces



Size: 60
Suction cup material:
Fluorocautchuc FPM
Material hardness: 65 °Sh
Connection thread: M10x1.25-F
Material property: imprint-free

Design Data



Attribute	Value
Dk	38.7 mm
Dmax(S)	64 mm
Ds	60 mm
G1	M10x1.25-F
H	18 mm
LG1	6 mm
Z	4.7 mm

Technical Data

Attribute	Value
Suction force	125 N

Contact to Schmalz

J. Schmalz GmbH | Johannes-Schmalz-Straße, 72293 Glatten, Deutschland | +49 7443 2403-102 |
customercenter@schmalz.de

Attribute	Value
Volume	11.846 cm ³
Curve radius (min) (convex)	100 mm
Size	60
Nipple	N 009
Number of folds	0
Suction cup material	Fluorocautchuc FPM
Material hardness	65 °Sh
Weight	33.7 g
Product family	PFG

Accessories



SU 60

Part no. 10.01.01.13585

Cover for suction cup

Size: 60

Temperature resistance: 80 °C



SA-NIP N009 G1/4-AG

Part no. 10.01.01.10097

Suction-pad connection nipple pre-assembly

Nipple: N 009

Thread 1: G1/4-M

Length: 5 mm

for: Flat suction pad PFG



SA-NIP N009 G1/4-IG

Part no. 10.01.01.10096

Suction cup connection nipple pre-assembly

Nipple: N 009

Thread G1: G1/4"-F

Length L: 23 mm

for: Flat suction pad PFG