

Compact ejector

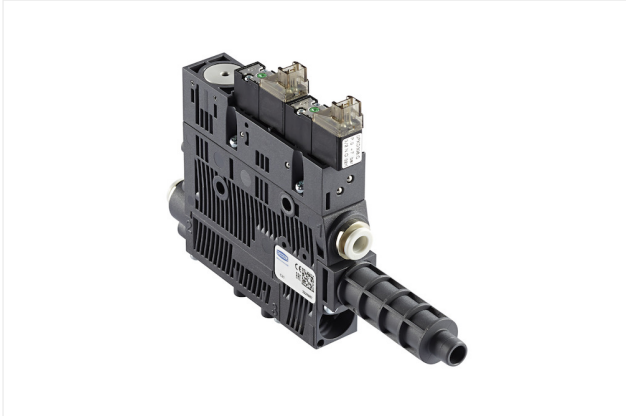
SCPSb-UHV-HD 07 S04 NC

Part no.:10.02.02.06258

<https://www.schmalz.com/10.02.02.06258>

Home > Vacuum Technology for Automation > Vacuum Components > Vacuum Generators > Compact Ejectors > Compact Ejectors SCPS- / SCPSb- / SCPSi-UHV-HD > SCPSb-UHV-HD 07 S04 NC

Compact ejector with special nozzle technology for increased vacuum level



Nozzle diameter: 7 mm

Connection: Hose D6(1)-D6(2)

Suction rate (max.): 13 l/min

Air consumption suction: 17.2 l/min

Sound level free: 62 dB(A)

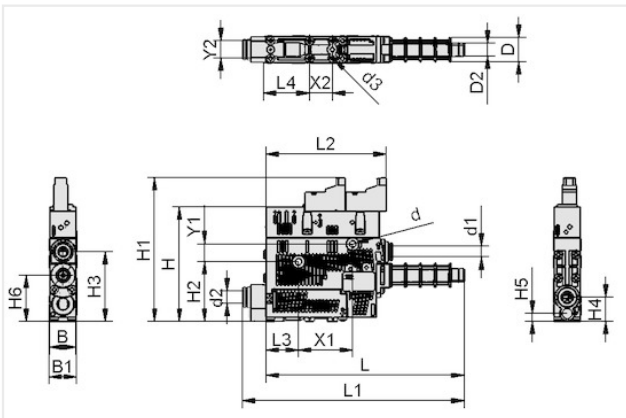
Pressure range (operating pressure): 2.0 ... 6.0 bar

Max. vacuum: -910 mbar

Control valve: Normally closed

Protection type IP: IP 40 (with plug)

Design Data



Attribute	Value
B	18 mm
B1	18.60 mm
D	16.50 mm
d	4.40 mm
D2	9 mm
d3	2.60 mm
H	78 mm
H2	40.80 mm
H3	47.50 mm
H4	16.50 mm
H5	5.50 mm
H6	31.50 mm
L	135 mm
L1	151 mm
L2	81.60 mm
L3	22 mm
L4	31 mm
X1	36.90 mm
X2	16 mm
Y1	12 mm
Y2	12 mm

Compact ejector

SCPSb-UHV-HD 07 S04 NC

Part no...:10.02.02.06258

<https://www.schmalz.com/10.02.02.06258>

Technical Data

Attribute	Value
Nozzle size	07
Degree of evacuation	91 %
Suction rate (max.)	13 l/min
Suction rate (max.)	0.80 m ³ /h
Air consumption suction	17.20 l/min
Air consumption suction	1 m ³ /h
Air consumption blow off	7.10 m ³ /h
Sound level free	62 dB(A)
Sound level suction	64 dB(A)
Pressure range (operating pressure)	2.0 ... 6.0 bar
Connection	S04
Control valve	Normally closed
Weight	0.21 kg
Max. air consumption blow off	120 l/min
Operating temperature	5 ... 50 °C
Pressure range (operating pressure)	29.0 ... 87.0
Air consumption blow off	4.18 cfm
Air consumption suction	0.61 cfm
Suction rate (max.)	0.46 cfm
Max. vacuum	-26.87 inHg
Product family	SCPSb

Accessories



ASK B-M12-5 5000 K-5P

Part no...:21.04.05.00080

Electrical connection: Fem connect M12, 5 pol

Cable length: 5,000 mm

Material hose: PUR cable

Contact Schmalz

J. Schmalz GmbH | Johannes-Schmalz-Str.1, DE-72293 Glatten | +49 7443 2403-105 | kundencenter@schmalz.de

Compact ejector

SCPSb-UHV-HD 07 S04 NC

Part no...:10.02.02.06258

<https://www.schmalz.com/10.02.02.06258>



ASK B-M12-5 1000 S-M12-5

Part no...:21.04.05.00158

Pressure range (operating pressure): bar



ASK B-M12-5 2000 S-M12-5

Part no...:21.04.05.00211

Pressure range (operating pressure): bar



ASV SMPI/SCPI 2xS-M12-4

Part no...:10.02.02.03490

Pressure range (operating pressure): bar

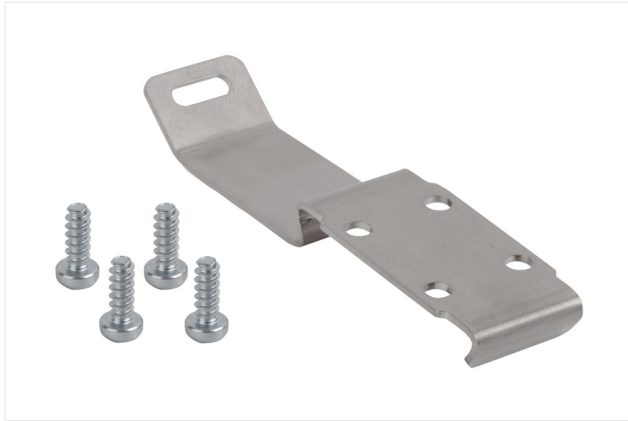
Length L: 1,050 mm

Compact ejector

SCPSb-UHV-HD 07 S04 NC

Part no.:10.02.02.06258

<https://www.schmalz.com/10.02.02.06258>



HUT-SN-KL SCPS

Part no.:10.02.02.04149

Construction use: Compact ejectors SCPS/SCPSi



VFI CN6/4 50

Part no.:10.07.01.00241

Connection: Hose 6/4 with Cap nut

Filter pore size: 50 µm



VFI 6/4 50

Part no.:10.07.01.00328

Connection: Hose 6/4

Filter pore size: 50 µm

Compact ejector

SCPSb-UHV-HD 07 S04 NC

Part no...:10.02.02.06258

<https://www.schmalz.com/10.02.02.06258>

Spare parts



SD 16.5x51 SCPS

Part no...:10.02.02.05094

External diameter D: 16.5 mm

Length L: 51 mm

Construction use: Compact ejectors SCPS/SCPSi



VACU-SET 07 12.80x76.60 SCPS

Part no...:10.02.02.06259

Nozzle size: 0.7 mm

External diameter D: 12.8 mm

Length L: 76.6 mm

Construction use: Compact ejectors SCPS/SCPSi

Compact ejector

SCPSb-UHV-HD 07 S04 NC

Part no...:10.02.02.06258

<https://www.schmalz.com/10.02.02.06258>



WART SCPS/SCPSi-HD

Part no...:10.02.02.06343

Size: HD