

Compact ejector

SCPSb-UHV-HD 16 S02 NC

Part no...:10.02.02.05330

<https://www.schmalz.com/10.02.02.05330>

Home > Vacuum Technology for Automation > Vacuum Components > Vacuum Generators > Compact Ejectors > Compact Ejectors SCPS- / SCPSb- / SCPSi-UHV-HD > SCPSb-UHV-HD 16 S02 NC

Compact ejector with special nozzle technology for increased vacuum level

Nozzle diameter: 1.6 mm

Connection: Hose D6(1)-D8(2)

Suction rate (max.): 53.2 l/min

Air consumption suction: 105.6 l/min

Sound level free: 75 dB(A)

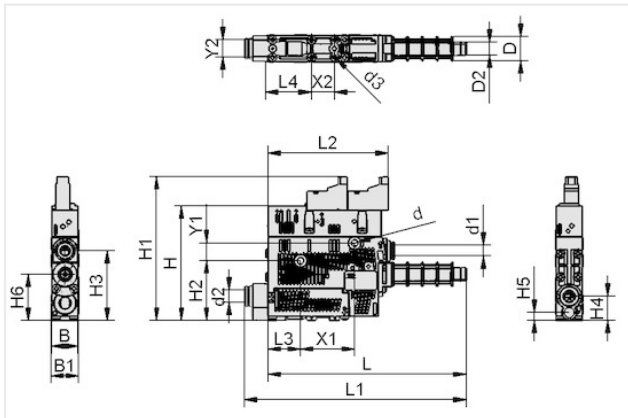
Pressure range (operating pressure): 2.0 ... 6.0 bar

Max. vacuum: -910 mbar

Control valve: Normally closed

Protection type IP: IP 40 (with plug)

Design Data



| Attribute | Value |
|-----------|----------|
| B | 18 mm |
| B1 | 18.60 mm |
| D | 16.50 mm |
| d | 4.40 mm |
| D2 | 9 mm |
| d3 | 2.60 mm |
| H | 78 mm |
| H2 | 40.80 mm |
| H3 | 47.50 mm |
| H4 | 16.50 mm |
| H5 | 5.50 mm |
| H6 | 31.50 mm |
| L | 135 mm |
| L1 | 151 mm |
| L2 | 81.60 mm |
| L3 | 22 mm |
| L4 | 31 mm |
| X1 | 36.90 mm |
| X2 | 16 mm |
| Y1 | 12 mm |
| Y2 | 12 mm |

Compact ejector

SCPSb-UHV-HD 16 S02 NC

Part no...:10.02.02.05330

<https://www.schmalz.com/10.02.02.05330>

Technical Data

| Attribute | Value |
|-------------------------------------|------------------------|
| Nozzle size | 16 |
| Degree of evacuation | 91 % |
| Suction rate (max.) | 53.20 l/min |
| Suction rate (max.) | 3.20 m ³ /h |
| Air consumption suction | 105.60 l/min |
| Air consumption suction | 6.30 m ³ /h |
| Air consumption blow off | 7.10 m ³ /h |
| Sound level free | 75 dB(A) |
| Sound level suction | 77 dB(A) |
| Pressure range (operating pressure) | 2.0 ... 6.0 bar |
| Connection | S02 |
| Control valve | Normally closed |
| Weight | 0.21 kg |
| Max. air consumption blow off | 120 l/min |
| Operating temperature | 5 ... 50 °C |
| Pressure range (operating pressure) | 29.0 ... 87.0 |
| Air consumption blow off | 4.18 cfm |
| Air consumption suction | 3.73 cfm |
| Suction rate (max.) | 1.88 cfm |
| Max. vacuum | -26.87 inHg |
| Product family | SCPSb |

Accessories



ASK B-M12-5 5000 K-5P

Part no...:21.04.05.00080

Electrical connection: Fem connect M12, 5 pol

Cable length: 5,000 mm

Material hose: PUR cable

Contact Schmalz

J. Schmalz GmbH | Johannes-Schmalz-Str.1, DE-72293 Glatten | +49 7443 2403-105 | kundencenter@schmalz.de

Compact ejector

SCPSb-UHV-HD 16 S02 NC

Part no...:10.02.02.05330

<https://www.schmalz.com/10.02.02.05330>



ASK B-M12-5 1000 S-M12-5

Part no...:21.04.05.00158

Pressure range (operating pressure): bar



ASK B-M12-5 2000 S-M12-5

Part no...:21.04.05.00211

Pressure range (operating pressure): bar



ASV SMPI/SCPI 2xS-M12-4

Part no...:10.02.02.03490

Pressure range (operating pressure): bar

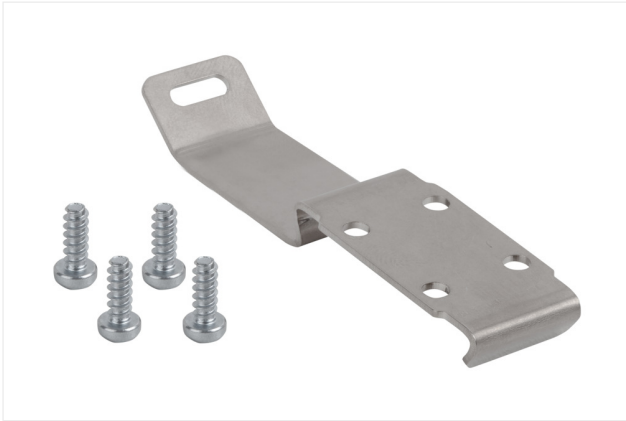
Length L: 1,050 mm

Compact ejector

SCPSb-UHV-HD 16 S02 NC

Part no...:10.02.02.05330

<https://www.schmalz.com/10.02.02.05330>



HUT-SN-KL SCPS

Part no...:10.02.02.04149

Construction use: Compact ejectors SCPS/SCPSi



VFI CN8/6 50

Part no...:10.07.01.00245

Connection: Hose 8/6 with Cap nut

Filter pore size: 50 µm



VFT G1/4-IG 80

Part no...:10.07.01.00119

Connection: G1/4"-F

Shape: Short filter insert

Nominal flow rate: 6.6 m³/h

Filter pore size: 80 µm

Compact ejector

SCPSb-UHV-HD 16 S02 NC

Part no...:10.02.02.05330

<https://www.schmalz.com/10.02.02.05330>

Spare parts



SD 16.5x51 SCPS

Part no...:10.02.02.05094

External diameter D: 16.5 mm

Length L: 51 mm

Construction use: Compact ejectors SCPS/SCPSi



VACU-SET 16 12.80x76.60 SCPS

Part no...:10.02.02.05052

Nozzle size: 1.6 mm

External diameter D: 12.8 mm

Length L: 76.6 mm

Construction use: Compact ejectors SCPS/SCPSi

Compact ejector

SCPSb-UHV-HD 16 S02 NC

Part no...:10.02.02.05330

<https://www.schmalz.com/10.02.02.05330>



WART SCPS/SCPSi-HD

Part no...:10.02.02.06343

Size: HD