

Compact ejector

SCPSb-UHV-HD 16 S02 NO

Part no...:10.02.02.05331

<https://www.schmalz.com/10.02.02.05331>

Home > Vacuum Technology for Automation > Vacuum Components > Vacuum Generators > Compact Ejectors > Compact Ejectors SCPS- / SCPSb- / SCPSi-UHV-HD > SCPSb-UHV-HD 16 S02 NO

Compact ejector with special nozzle technology for increased vacuum level

Nozzle diameter: 1.6 mm

Connection: Hose D6(1)-D8(2)

Suction rate (max.): 53.2 l/min

Air consumption suction: 105.6 l/min

Sound level free: 75 dB(A)

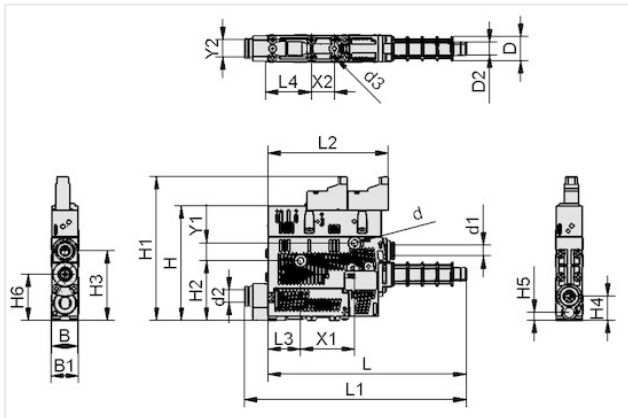
Pressure range (operating pressure): 2.0 ... 6.0 bar

Max. vacuum: -910 mbar

Control valve: Normally open

Protection type IP: IP 40 (with plug)

Design Data



Attribute	Value
B	18 mm
B1	18.60 mm
D	16.50 mm
d	4.40 mm
D2	9 mm
d3	2.60 mm
H	78 mm
H2	40.80 mm
H3	47.50 mm
H4	16.50 mm
H5	5.50 mm
H6	31.50 mm
L	135 mm
L1	151 mm
L2	81.60 mm
L3	22 mm
L4	31 mm
X1	36.90 mm
X2	16 mm
Y1	12 mm
Y2	12 mm

Compact ejector

SCPSb-UHV-HD 16 S02 NO

Part no...:10.02.02.05331

<https://www.schmalz.com/10.02.02.05331>

Technical Data

Attribute	Value
Nozzle size	16
Degree of evacuation	91 %
Suction rate (max.)	53.20 l/min
Suction rate (max.)	3.20 m ³ /h
Air consumption suction	105.60 l/min
Air consumption suction	6.30 m ³ /h
Air consumption blow off	7.10 m ³ /h
Sound level free	75 dB(A)
Sound level suction	77 dB(A)
Pressure range (operating pressure)	2.0 ... 6.0 bar
Connection	S02
Control valve	Normally open
Weight	0.21 kg
Max. air consumption blow off	120 l/min
Operating temperature	5 ... 50 °C
Pressure range (operating pressure)	29.0 ... 87.0
Air consumption blow off	4.18 cfm
Air consumption suction	3.73 cfm
Suction rate (max.)	1.88 cfm
Max. vacuum	-26.87 inHg
Product family	SCPSb

Accessories



ASK B-M12-5 5000 K-5P

Part no...:21.04.05.00080

Electrical connection: Fem connect M12, 5 pol

Cable length: 5,000 mm

Material hose: PUR cable

Contact Schmalz

J. Schmalz GmbH | Johannes-Schmalz-Str.1, DE-72293 Glatten | +49 7443 2403-105 | kundencenter@schmalz.de

Compact ejector

SCPSb-UHV-HD 16 S02 NO

Part no...:10.02.02.05331

<https://www.schmalz.com/10.02.02.05331>



ASK B-M12-5 1000 S-M12-5

Part no...:21.04.05.00158

Pressure range (operating pressure): bar



ASK B-M12-5 2000 S-M12-5

Part no...:21.04.05.00211

Pressure range (operating pressure): bar



ASV SMPI/SCPI 2xS-M12-4

Part no...:10.02.02.03490

Pressure range (operating pressure): bar

Length L: 1,050 mm

Compact ejector

SCPSb-UHV-HD 16 S02 NO

Part no...:10.02.02.05331

<https://www.schmalz.com/10.02.02.05331>



HUT-SN-KL SCPS

Part no...:10.02.02.04149

Construction use: Compact ejectors SCPS/SCPSi



VFI CN8/6 50

Part no...:10.07.01.00245

Connection: Hose 8/6 with Cap nut

Filter pore size: 50 μm



VFT G1/4-IG 80

Part no...:10.07.01.00119

Connection: G1/4"-F

Shape: Short filter insert

Nominal flow rate: 6.6 m³/h

Filter pore size: 80 μm

Compact ejector

SCPSb-UHV-HD 16 S02 NO

Part no...:10.02.02.05331

<https://www.schmalz.com/10.02.02.05331>

Spare parts



SD 16.5x51 SCPS

Part no...:10.02.02.05094

External diameter D: 16.5 mm

Length L: 51 mm

Construction use: Compact ejectors SCPS/SCPSi



VACU-SET 16 12.80x76.60 SCPS

Part no...:10.02.02.05052

Nozzle size: 1.6 mm

External diameter D: 12.8 mm

Length L: 76.6 mm

Construction use: Compact ejectors SCPS/SCPSi

Compact ejector

SCPSb-UHV-HD 16 S02 NO

Part no...:10.02.02.05331

<https://www.schmalz.com/10.02.02.05331>



WART SCPS/SCPSi-HD

Part no...:10.02.02.06343

Size: HD