

## Compact ejector

SCPS-UHV-HD 07 G02 NC NPN

Part no...:10.02.02.06283

<https://www.schmalz.com/10.02.02.06283>

Home > Vacuum Technology for Automation > Vacuum Components > Vacuum Generators > Compact Ejectors > Compact Ejectors SCPS- / SCPSb- / SCPSi-UHV-HD > SCPS-UHV-HD 07 G02 NC NPN

### Compact ejector with special nozzle technology for increased vacuum level



Nozzle diameter: 0.7 mm

Connection: G1/8"(1)-G1/8"(2)

Suction rate (max.): 13 l/min

Air consumption suction: 17.2 l/min

Sound level free: 62 dB(A)

Pressure range (operating pressure): 2.0 ... 6.0 bar

Max. vacuum: -910 mbar

Control valve: Normally closed

Function: Digital air-saving function

Protection type IP: IP 65 (with plug)

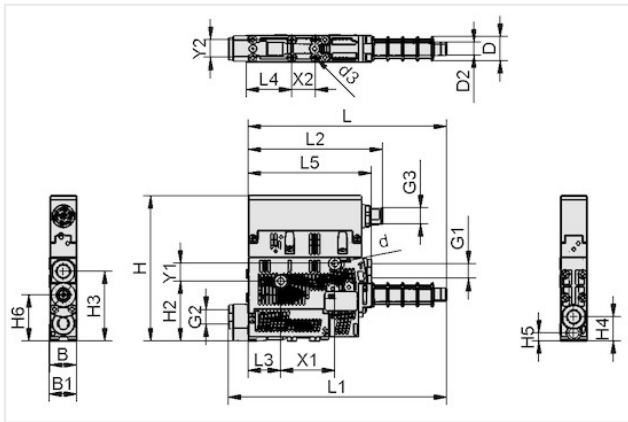
### Design Data

## Compact ejector

SCPS-UHV-HD 07 G02 NC NPN

Part no...:10.02.02.06283

<https://www.schmalz.com/10.02.02.06283>



Attribute	Value
B	18 mm
B1	18.60 mm
D	16.50 mm
d	4.40 mm
D2	9 mm
d3	2.60 mm
G1	G1/8"-F
G2	G1/8"-F
G3	M12x1-M
H	99 mm
H2	40.80 mm
H3	47.50 mm
H4	16.50 mm
H5	5.50 mm
H6	31.50 mm
L	135 mm
L1	148.40 mm
L2	91.50 mm
L3	22 mm
L4	29.50 mm
L5	83.80 mm
X1	36.90 mm
X2	16 mm
Y1	12 mm
Y2	12 mm

### Technical Data

Attribute	Value
Nozzle size	07
Degree of evacuation	91 %
Suction rate (max.)	13 l/min
Suction rate (max.)	0.80 m <sup>3</sup> /h
Air consumption suction	17.20 l/min
Air consumption suction	1 m <sup>3</sup> /h
Air consumption blow off	7.20 m <sup>3</sup> /h
Sound level free	62 dB(A)
Sound level suction	64 dB(A)
Pressure range (operating pressure)	2.0 ... 6.0 bar

### Contact Schmalz

J. Schmalz GmbH | Johannes-Schmalz-Str.1, DE-72293 Glatten | +49 7443 2403-105 | [kundencenter@schmalz.de](mailto:kundencenter@schmalz.de)

## Compact ejector

SCPS-UHV-HD 07 G02 NC NPN

Part no...:10.02.02.06283

<https://www.schmalz.com/10.02.02.06283>

Connection	G02
Control valve	Normally closed
Weight	0.21 kg
Max. air consumption blow off	120 l/min
Operating temperature	5 ... 50 °C
Pressure range (operating pressure)	29.0 ... 87.0
Air consumption blow off	4.24 cfm
Air consumption suction	0.61 cfm
Suction rate (max.)	0.46 cfm
Max. vacuum	-26.87 inHg
Product family	SCPS

### Accessories



#### ASK B-M12-5 5000 K-5P

Part no...:21.04.05.00080

Electrical connection: Fem connect M12, 5 pol

Cable length: 5,000 mm

Material hose: PUR cable



#### ASK B-M12-5 1000 S-M12-5

Part no...:21.04.05.00158

Pressure range (operating pressure): bar

## Compact ejector

SCPS-UHV-HD 07 G02 NC NPN

Part no...:10.02.02.06283

<https://www.schmalz.com/10.02.02.06283>



### ASK B-M12-5 2000 S-M12-5

Part no...:21.04.05.00211

Pressure range (operating pressure): bar



### ASV SMPI/SCPI 2xS-M12-4

Part no...:10.02.02.03490

Pressure range (operating pressure): bar

Length L: 1,050 mm



### HUT-SN-KL SCPS

Part no...:10.02.02.04149

Construction use: Compact ejectors SCPS/SCPSi

## Compact ejector

SCPS-UHV-HD 07 G02 NC NPN

Part no...:10.02.02.06283

<https://www.schmalz.com/10.02.02.06283>



### VFI CN6/4 50

Part no...:10.07.01.00241

Connection: Hose 6/4 with Cap nut

Filter pore size: 50 µm



### VFI 6/4 50

Part no...:10.07.01.00328

Connection: Hose 6/4

Filter pore size: 50 µm

## Spare parts

### Contact Schmalz

J. Schmalz GmbH | Johannes-Schmalz-Str.1, DE-72293 Glatten | +49 7443 2403-105 | [kundencenter@schmalz.de](mailto:kundencenter@schmalz.de)

## Compact ejector

SCPS-UHV-HD 07 G02 NC NPN

Part no...:10.02.02.06283

<https://www.schmalz.com/10.02.02.06283>



### SD 16.5x51 SCPS

Part no...:10.02.02.05094

External diameter D: 16.5 mm

Length L: 51 mm

Construction use: Compact ejectors SCPS/SCPSi



### VACU-SET 07 12.80x76.60 SCPS

Part no...:10.02.02.06259

Nozzle size: 0.7 mm

External diameter D: 12.8 mm

Length L: 76.6 mm

Construction use: Compact ejectors SCPS/SCPSi



### WART SCPS/SCPSi-HD

Part no...:10.02.02.06343

Size: HD