

技術資料 Technische Documentatie **Documentation**
Documentação técnica Documentación técnica Documentazione tecnica
Technische Dokumentation Technical Documentation Техническая документация
Documentazione tecnica Technische documentatie
Техническая документация **Teknik Doküman** 技术资料
Documentazione tecnica Dokumentacja techniczna
Technische documentatie Documentación técnica 技術資料
기술 자료 Technische documentatie 技術資料
Documentation technique Teknik Doküman Dokumentacja techniczna
Technical Documentation **Documentazione tecnica** Technical Documentation
Dokumentacja techniczna 技术资料 Documentation technique
Техническая документация Technische Dokumentation **Teknik Doküman**
Dokumentacja techniczna Technische documentatie
Documentation technique 기술 자료 Dokumentacja techniczna



SCPS-UHV-HD Compact Ejector

Operating Instructions

Note

The Operating instructions were originally written in German. Store in a safe place for future reference. Subject to technical changes without notice. No responsibility is taken for printing or other types of errors.

Published by

© J. Schmalz GmbH, 01/21

This document is protected by copyright. J. Schmalz GmbH retains the rights established thereby. Reproduction of the contents, in full or in part, is only permitted within the limits of the legal provisions of copyright law. Any modifications to or abridgments of the document are prohibited without explicit written agreement from J. Schmalz GmbH.

Contact

J. Schmalz GmbH
Johannes-Schmalz-Str. 1
72293 Glatten, Germany
T: +49 7443 2403-0
schmalz@schmalz.de
www.schmalz.com

Contact information for Schmalz companies and trade partners worldwide can be found at:
www.schmalz.com/salesnetwork

Contents

1	Important Information	5
1.1	Note on Using this Document	5
1.2	The technical documentation is part of the product	5
1.3	Type Plate	5
1.4	Warnings in This Document.....	6
1.5	Symbol.....	6
2	Fundamental Safety Instructions.....	7
2.1	Safety	7
2.2	Intended Use.....	7
2.3	Non-Intended Use	8
2.4	Personnel Qualifications	8
2.5	Modifications to the Ejector	8
3	Product Description	9
3.1	Ejector Designation	9
3.2	Ejector Structure	9
3.3	Display and Operating Element in Detail	10
4	Technical Data	12
4.1	Display Parameters	12
4.2	General Parameters.....	12
4.3	Electrical Parameters.....	12
4.4	Factory Settings	13
4.5	Performance Data	13
4.6	Dimensions.....	14
4.7	Pneumatic Circuit Plans.....	15
5	General Description of Functions	16
5.1	Picking up the Workpiece (Vacuum Generation).....	16
5.2	Depositing the Workpiece/Part (Blowing Off)	16
5.3	Operating Modes	16
5.3.1	Operation and Settings	17
5.3.2	Manual Operating Mode	17
5.4	Viewing and Setting Parameters.....	18
5.5	Locking the Keypad.....	19
5.6	Vacuum Monitoring	19
5.7	Signal Output	19
5.8	Control Function.....	19
5.9	Depositing the Workpiece/Part (Blowing Off)	19
5.10	Changing the Blow-Off Flow Rate on the Ejector.....	19
5.11	Signal Type.....	20
5.12	Control Concept for NO Ejectors	20
5.13	Control Concept for NC Ejectors.....	21
5.14	Vacuum unit	21
6	Transport and Storage.....	22
6.1	Checking the Delivery	22

- 7 Installation..... 23**
 - 7.1 Installation Instructions..... 23
 - 7.2 Mounting 23
 - 7.3 Pneumatic Connection 24
 - 7.3.1 Connecting the Compressed Air and Vacuum 24
 - 7.4 Electrical connection 25
 - 7.4.1 PIN Assignment..... 27
 - 7.5 Process Data..... 27
 - 7.6 Start of Operations..... 28
- 8 Operation 29**
 - 8.1 Safety Instructions for Operation..... 29
 - 8.2 General Preparations 30
- 9 Troubleshooting..... 31**
 - 9.1 Help with Faults..... 31
- 10 Maintenance..... 32**
 - 10.1 Safety 32
 - 10.2 Cleaning the Ejector..... 32
 - 10.3 Replacing the Silencer Insert 32
 - 10.4 Cleaning or Changing the Nozzle 33
 - 10.5 Replacing the Press-In Screens..... 34
- 11 Warranty..... 35**
- 12 Spare and Wearing Parts, Accessories..... 36**
 - 12.1 Spare and Wearing Parts 36
 - 12.2 Accessories 36
- 13 Decommissioning and Recycling..... 37**
 - 13.1 Disposing of the Ejector 37
 - 13.2 Materials Used 37
- 14 EC Conformity 38**

1 Important Information

1.1 Note on Using this Document

J. Schmalz GmbH is generally referred to as Schmalz in these Operating instructions.

These Operating instructions contain important notes and information about the different operating phases of the product:

- Transport, storage, start of operations and decommissioning
- Safe operation, required maintenance, rectification of any faults

The Operating instructions describe the product at the time of delivery by Schmalz.

1.2 The technical documentation is part of the product

1. For problem-free and safe operation, follow the instructions in the documents.
2. Keep the technical documentation in close proximity to the product. The documentation must be accessible to personnel at all times.
3. Pass on the technical documentation to subsequent users.

⇒ Failure to follow the instructions in these Operating instructions may result in injuries!

⇒ Schmalz is not liable for damage or malfunctions that result from failure to heed these instructions.

If you still have questions after reading the technical documentation, contact Schmalz Service at:

www.schmalz.com/services

1.3 Type Plate

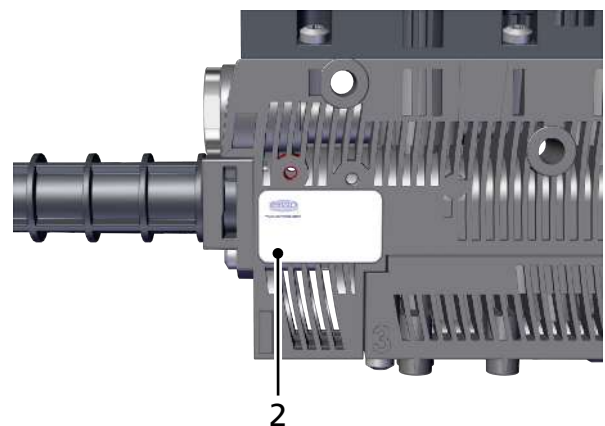
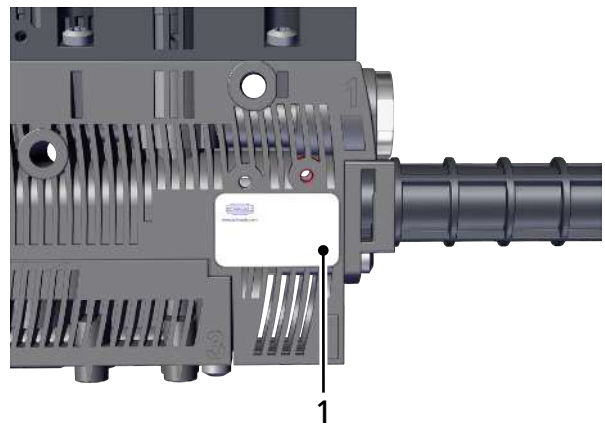
The type plates (1) and (2) are permanently attached to the product and must always be clearly legible.

Type plate (1) contains the following information:

- EAC label
- Pneumatic symbol
- Part sales designation/type
- Part number
- Permitted pressure range

Type plate (2) contains the following information:

- CE label
- EAC label
- QR code
- Customer part number
- Coded date of manufacture
- Serial number



1.4 Warnings in This Document

Warnings warn against hazards that may occur when handling the product. The signal word indicates the level of danger.

Signal word	Meaning
WARNING	Indicates a medium-risk hazard that could result in death or serious injury if not avoided.
CAUTION	Indicates a low-risk hazard that could result in minor or moderate injury if not avoided.
NOTE	Indicates a danger that leads to property damage.

1.5 Symbol



This symbol indicates useful and important information.

- ✓ This symbol represents a prerequisite that must be met prior to an operational step.
- ▶ This symbol represents an action to be performed.
- ⇒ This symbol represents the result of an action.

Actions that consist of more than one step are numbered:

1. First action to be performed.
2. Second action to be performed.

2 Fundamental Safety Instructions

2.1 Safety

The ejector emits noise due to its use of compressed air.



⚠ WARNING

Noise pollution due to the escape of compressed air

Hearing damage!

- ▶ Wear ear protectors.
- ▶ The ejector must only be operated with a silencer.



⚠ WARNING

Uncontrolled movements of system components or falling of objects caused by incorrect activation and switching of the Ejector while persons are in the plant (safety door opened and actuator circuit switched off)

Serious injury

- ▶ Ensure that the valves and ejectors are enabled via the actuator voltage by installing a potential separation between the sensor and actuator voltage.
- ▶ Wear the required personal protective equipment (PPE) when working in the danger zone.



⚠ CAUTION

Depending on the purity of the ambient air, the exhaust air can contain particles, which escape from the exhaust air outlet at high speed.

Eye injuries

- ▶ Do not look into the exhaust air flow
- ▶ Wear eye protection

2.2 Intended Use

The product is built in accordance with the latest standards of technology and is delivered in a safe operating condition; however, hazards may arise during use.

The ejector is designed to generate a vacuum for gripping and transporting objects when used in conjunction with suction cups. It is operated by a controller via discrete signals.

Neutral gases are approved as evacuation media. Neutral gases include air, nitrogen and inert gases (e.g. argon, xenon and neon).

The product is intended for industrial use.

Intended use includes observing the technical data and the installation and operating instructions in this manual.

2.3 Non-Intended Use



WARNING

Extraction of hazardous media, liquids or bulk material

Personal injury or damage to property!

- ▶ Do not extract harmful media such as dust, oil mists, vapors, aerosols etc.
 - ▶ Do not extract aggressive gases or media such as acids, acid fumes, bases, biocides, disinfectants or detergents.
 - ▶ Do not extract liquids or bulk materials, e.g. granulates.
-

Schmalz accepts no liability for damages caused by non-intended usage of the ejector.

In particular, the following are considered non-intended use:

- Filling pressurized containers, driving cylinders, valves or other pressure-operated functional elements
- In potentially explosive atmospheres
- Use in medical applications
- Lifting people or animals
- Evacuation of objects that are in danger of imploding
- Ballistic applications

2.4 Personnel Qualifications

Unqualified personnel cannot recognize dangers and are therefore exposed to higher risks!

1. Task only qualified personnel to perform the tasks described in these Operating instructions.
2. The product must be operated only by persons who have undergone appropriate training.

These Operating instructions are intended for fitters who are trained in handling the product and who can operate and install it.

2.5 Modifications to the Ejector

Schmalz assumes no liability for consequences of modifications over which it has no control:

1. The ejector must be operated only in its original condition as delivered.
2. Use only original spare parts from Schmalz.
3. The ejector must be operated only in perfect condition.

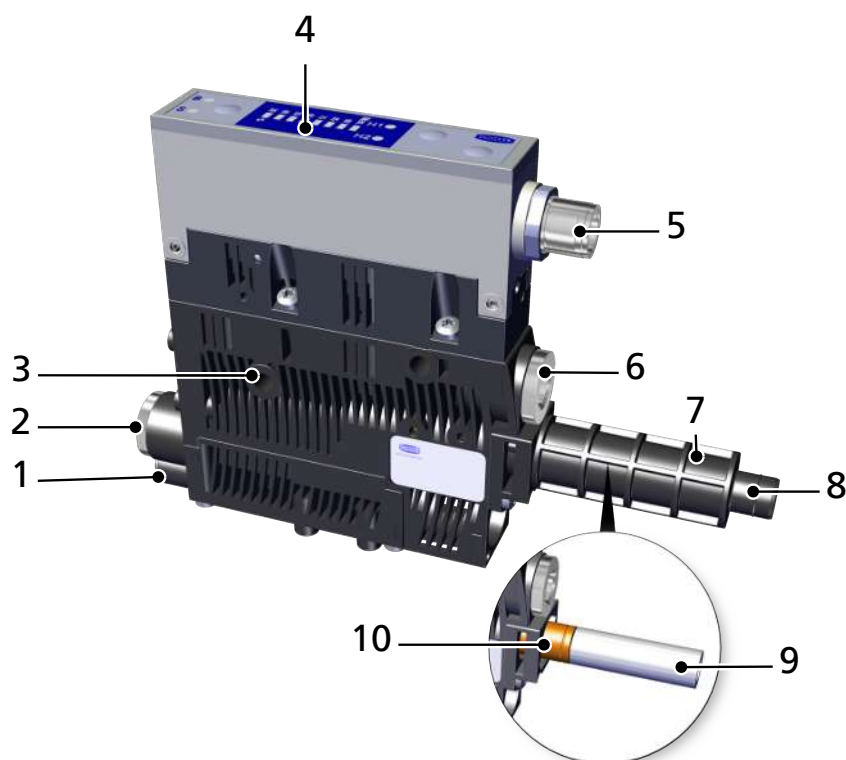
3 Product Description

3.1 Ejector Designation

The breakdown of the item designation (e.g. SCPS-UHV-HD 16 G02 NO PNP) is as follows:

Property	Variants
Type of ejector	SCPS-UHV-HD (Ultra High Vacuum-Heavy Duty)
Nozzle size	0.7 mm; 1.1 mm; 1.6 mm
Connection	G02 (1/8" internal thread)
Controller	Normally open (NO) Normally closed (NC)
Signal Type	PNP; NPN

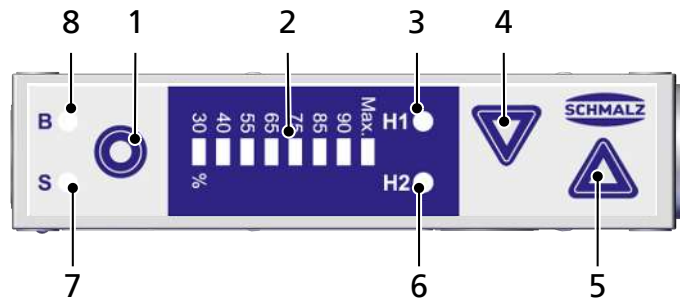
3.2 Ejector Structure



1	Blow off valve screw	2	G1/8" vacuum connection, marking 2 [V]
3	Mounting hole (2x)	4	Display and operating element
5	M12 electrical connection	6	G1/8" compressed air connection (marking 1 [P])
7	Silencer cover with twist-and-lock closure	8	Exhaust outlet
9	Silencer insert	10	Nozzle

3.3 Display and Operating Element in Detail

Simple ejector operation is ensured with 3 buttons, the bar display and 4 LEDs for status information. The current system vacuum is always displayed in the 8-digit LED bar display.



1	MENU BUTTON	2	LED bar display
3	H1 limit value LED	4	DOWN BUTTON
5	UP BUTTON	6	H2 limit value LED
7	LED process state "suction"	8	LED process state "blow off"

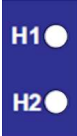
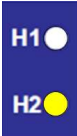
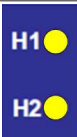
Definition of the LED indicators

The "suction" and "blow off" process states are each assigned an LED.

Display	Ejector state
<div style="display: flex; flex-direction: column; align-items: center;"> <div style="margin-bottom: 10px;">B <input type="checkbox"/></div> <div>S <input type="checkbox"/></div> </div> <p>LEDs are both off</p>	No suction from ejector
<div style="display: flex; flex-direction: column; align-items: center;"> <div style="margin-bottom: 10px;">B <input type="checkbox"/></div> <div>S <input checked="" type="checkbox"/></div> </div> <p>LED for the suction function is constantly lit</p>	Ejector is applying suction or in control mode
<div style="display: flex; flex-direction: column; align-items: center;"> <div style="margin-bottom: 10px;">B <input checked="" type="checkbox"/></div> <div>S <input type="checkbox"/></div> </div> <p>LED for the blow off function is constantly lit</p>	Ejector blowing off

Meaning of the Vacuum Limit Value LEDs

The LEDs for the vacuum limit values H1 and H2 indicate the current level of the system vacuum relative to the configured limit values. The display is independent of the switching function and the assignment of the output.

Display	Ejector state
 LEDs both off	Rising vacuum: Vacuum < H2 Falling vacuum: Vacuum < (H2-h2)
 H2 LED lit steadily	Rising vacuum: Vacuum > H2 and < H1 Falling vacuum: Vacuum > (H2-h2) and < (H1-h1)
 Both LEDs lit steadily	Rising vacuum: Vacuum > H1 Falling vacuum: Vacuum > (H1-h1)

Additional Display Functions on the LED Bar Display

The current system vacuum is always displayed in the 8-digit LED bar display.

LED bar display	Meaning
Max. LED lights up briefly	Supply pressure present, otherwise no LED is active
Entire LED bar lights up Max. LED flashes rapidly	Vacuum > permitted range
Max. LED flashes rapidly	Voltage supply > permitted range
30% LED flashes rapidly	Vacuum < permitted range (for example, during blow off)

4 Technical Data

4.1 Display Parameters

Parameter	Value	Unit	Comment
Display	3	Digit	Red 7-segment LED display
Resolution	±1	mbar	—
Accuracy	±3	% FS	$T_{amb} = 25^{\circ} \text{C}$, based on FS (full-scale) final value
Linearity error	±1	%	—
Offset error	±2	mbar	After zero-point adjustment, without vacuum
Temperature influence	±3	%	$5^{\circ} \text{C} < T_{amb} < 50^{\circ} \text{C}$
Display refresh rate	5	1/s	Only affects the 7-segment display
Idle time before the menu is exited	1	min	The display mode is accessed automatically when no settings are made in a menu.

4.2 General Parameters

Parameter	Symbol	Limit value			Unit	Comment
		min.	typ.	max.		
Working temperature	T_{amb}	0	---	50	$^{\circ} \text{C}$	---
Storage temperature	T_{sto}	-10	---	60	$^{\circ} \text{C}$	---
Humidity	H_{rel}	10	---	90	% r.h.	Free from condensation
Precision of vacuum sensor						± 3% FS (full scale)
Degree of protection	---	---	---	IP65	---	---
Operating pressure (flow pressure)	P	2	4.2	6	bar	---
Operating medium		Air or neutral gas, 5 μm filtered, with or without oil, class 3-3-3 compressed air quality in acc. with ISO 8573-1				

4.3 Electrical Parameters

Parameter	Symbol	Limit values			Unit	Comment
		min.	typ.	max.		
Supply voltage	U_{SA}	22.8	24	26.4	V DC	PELV ¹⁾
Power consumption from $U_{S/A}$ 2) with NO variant	$I_{S/A}$	---	50 ⁴⁾	120	mA	$U_{S/A} = 24.0 \text{ V}$
Power consumption from $U_{S/A}$ 2) with NC variant	$I_{S/A}$	---	40 ⁴⁾	70	mA	$U_{S/A} = 24.0 \text{ V}$
Voltage of signal output (PNP)	U_{OH}	$U_{S/A} - 2$	—	$V_{S/A}$	V_{DC}	$I_{OH} < 140 \text{ mA}$
Voltage of signal output (NPN)	U_{OL}	0	—	2	V_{DC}	$I_{OL} < 140 \text{ mA}$
Power consumption of signal output (PNP)	I_{OH}	---	—	140	mA	Short-circuit-proof ³⁾
Power consumption of signal output (NPN)	I_{OL}	---	—	-140	mA	Short-circuit-proof ³⁾
Voltage of signal input (PNP)	U_{IH}	15	—	$U_{A/SA}$	V_{DC}	In reference to $Gnd_{A/SA}$
Voltage of signal input (NPN)	U_{IL}	0	—	9	V_{DC}	In reference to $U_{A/SA}$

Parameter	Symbol	Limit values			Unit	Comment
Current of signal input (PNP)	I_{IH}	—	5	—	mA	—
Current of signal input (NPN)	I_{IL}	—	-5	—	mA	—
Reaction time of signal inputs	t_i	—	3	—	ms	—
Reaction time of signal outputs	t_o	1	—	200	ms	Adjustable

1) The power supply must correspond to the regulations in accordance with EN60204 (protected extra-low voltage). The signal inputs and outputs are all protected against reverse polarity.

2) Plus the output currents

3) The signal output is protected against short circuits. However, the signal output is not protected against overloading. Constant load currents > 0.15 A may lead to impermissible heating and therefore the destruction of the ejector.

4) Mean value

4.4 Factory Settings

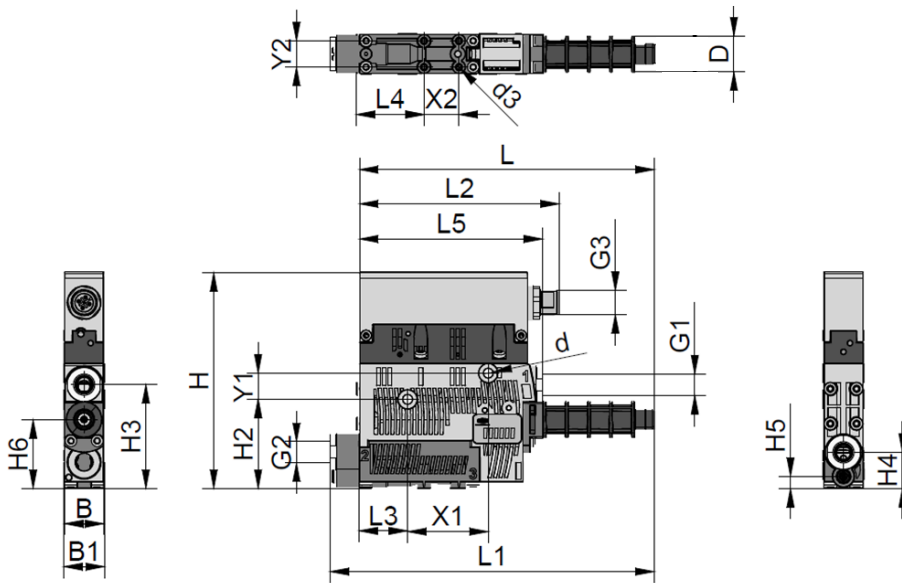
Parameter	Value of the factory setting
Limit value H1	750 mbar
Hysteresis value h1	150 mbar
Limit value H2	550 mbar
Hysteresis value h2	10 mbar
Control	Activated
Continuous suction	Deactivated
Blow off function	Externally controlled blow off
Vacuum unit	Vacuum unit in mbar
Signal output	"Normally open" contact = no

4.5 Performance Data

Type	SCPS UHV HD 07	SCPS UHV HD 11	SCPS UHV HD 16
Nozzle size [mm]	0.7	1.1	1.6
Max. vacuum ¹ [%]	91		
Suction rate ¹ [l/min]	13	27.8	53.2
Max. blow off capacity ¹ [l/min]	120		
Air consumption ¹ (suction) [l/min]	17.2	37.5	105.6
Sound level ¹ , unobstructed suction [dB(A)]	62	68	75
Sound level ¹ , suction [dB(A)]	64	75	77
Weight [kg]	0.21		

¹⁾ at 4.5 bar

4.6 Dimensions

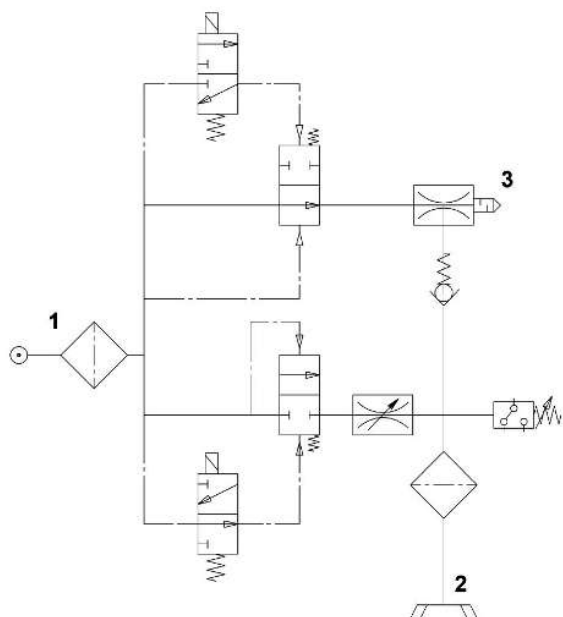


B	B1	d	d3	D	G1	G2	G3	H	H2	H3	H4
18	18.6	4.4	2.6	16.5	G1/8" internal thread	G1/8" internal thread	M12x 1-M	99	40.8	47.5	16.5
H5	H6	L	L1	L2	L3	L4	L5	X1	X2	Y1	Y2
5.5	31.5	135	150	91.5	22	31	83.8	36.9	16	12	12

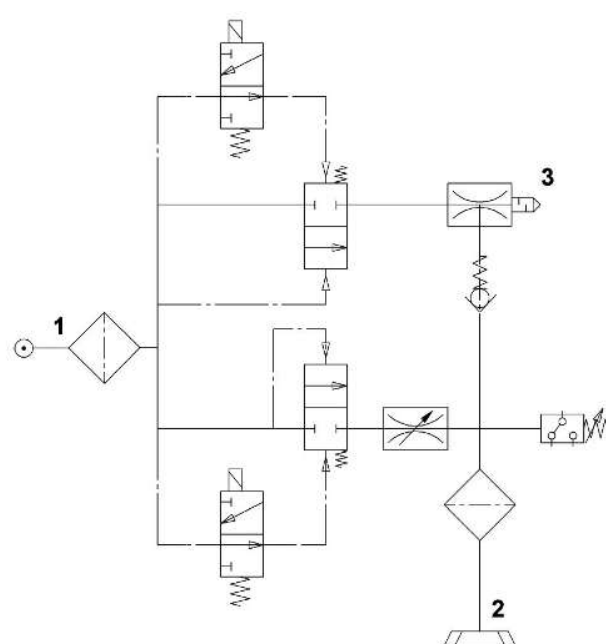
All specifications are in mm

4.7 Pneumatic Circuit Plans

SCPS...NO...



SCPS...NC...



5 General Description of Functions

5.1 Picking up the Workpiece (Vacuum Generation)

The ejector is designed for vacuum handling of airtight parts in combination with suction systems. The vacuum is generated in a nozzle according to the Venturi principle, using suction generated by the flow of accelerated compressed air. Compressed air is channeled into the ejector and flows through the nozzle. A vacuum is generated immediately downstream of the motive nozzle; this causes the air to be sucked through the vacuum connection. The air and compressed air that have been removed by the suction exit together via the silencer or exhaust air channel.

The venturi nozzle on the ejector is activated and deactivated using the suction command:

- In the NO (normally open) variant, the venturi nozzle is deactivated when the suction signal is received.
- In the NC (normally closed) variant, the venturi nozzle is activated when the suction signal is received.

An integrated sensor records the vacuum generated by the venturi nozzle. This is evaluated by an electronics system and serves as the basis for displaying the system states and switching the output. The vacuum level is shown in the bar display.

The ejector has an integrated air saving function and automatically regulates the vacuum in suction mode:

- The electronics switch off the venturi nozzle as soon as the set vacuum limit value H1 is reached.
- When objects with airtight surfaces are picked up, the integrated non-return valve prevents the vacuum from dropping.
- If the system vacuum drops below the limit value H1-h1 due to leakages, the venturi nozzle is switched back on.



If small volumes are to be evacuated, the set switching point H1 may be exceeded considerably before the vacuum is switched off. This system behavior does not constitute an error.

5.2 Depositing the Workpiece/Part (Blowing Off)

In blow off mode, the vacuum circuit of the ejector is supplied with compressed air. This ensures that the vacuum drops quickly, allowing the workpiece to be deposited quickly.

“Blow off” mode can be controlled externally or internally.

- When controlled externally, blow off mode is activated by the “blow off” signal input.
- During internally controlled automatic blow off, the “blow off” valve is activated for a defined period after “suction” mode is exited.



The ejector also has a manual mode. In this mode, the ejector can be controlled using the buttons on the ejector’s foil keypad. See the “Manual mode” section for more details.

5.3 Operating Modes

If the ejector is connected to the supply voltage, it is in automatic mode and ready for operation. This is the normal operating mode, in which the ejector is operated by the system controller.

In addition to automatic operation, you can also use the keys on the ejector to change the operating state and switch to manual mode.

The ejector is always parameterized in automatic mode.

5.3.1 Operation and Settings

The three keys on the foil keypad are used for operation and setting the parameters. If no parameters are set, the ejector is in display mode. The current vacuum is displayed.

If settings are changed, undefined states of the system may occur for a short time (for approx. 50 ms).

5.3.2 Manual Operating Mode



⚠ WARNING

Through an external signal, manual operation is exited, external signals are evaluated and system parts move.

Personal injury or damage to property due to collisions

- ▶ Ensure that the danger zone of the system is clear of people during operation.
- ▶ Wear the required personal protective equipment (PPE) when working in the danger zone.



⚠ WARNING

Falling objects due to incorrect operation in manual mode

Risk of injury

- ▶ Higher level of attention
- ▶ Ensure that there are no persons within the danger zones of the machine/system

In manual mode, a higher level of attention is advisable because incorrect operation may cause gripped parts to fall, resulting in injuries.


In manual mode, the "suction" and "blow off" ejector functions can be controlled independently of the higher-level controller using the buttons on the operating panel. In this operating mode, the "H1" and "H2" LEDs both flash.



Because the valve protection function is deactivated in manual mode, this function can be used to locate and rectify leaks in the vacuum circuit.

Activating the Operating Mode

Press and hold the  or  button for more than 3 seconds.


Manual suction

The  button activates "suction" on the ejector.

Press the  or  button to exit the "suction" operating state again.

When the air saving function is switched on, it is also active in the "Manual Operation" operating mode.

Manual blow off

The  button activates "blow off" on the ejector for as long as the button is pressed. The H1 and H2 LEDs light up simultaneously.

Deactivating the Operating Mode

Using the  button or through an external state change by signal inputs.

The valve protection function is not active in manual mode.

5.4 Viewing and Setting Parameters

The following parameters can be set for the ejector:

- The vacuum limit value H1 for the control
- The vacuum limit value H2 for the signal output
- The blow off period for the time-controlled blow off

The hystereses for the vacuum limit values are pre-defined.

The table below shows the various settings:

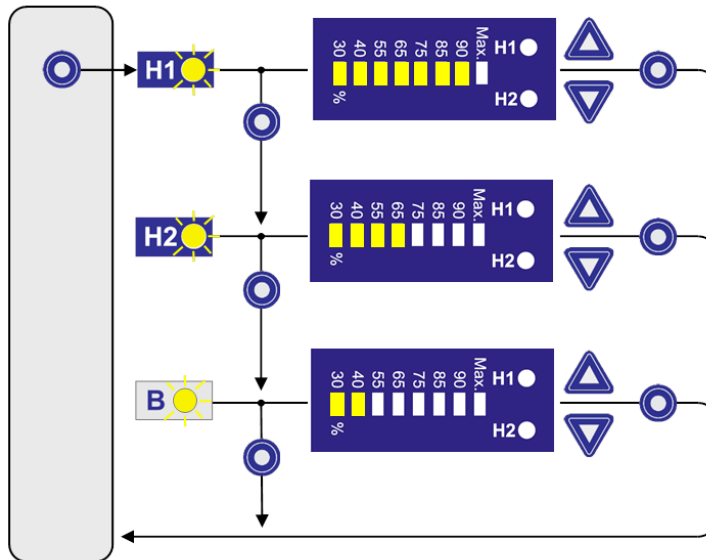
LED bar display	H1	h1	H2	h2	Blow off time
Off	—	—	—	—	External
30%	—	—	300 mbar	10 mbar	20 ms
40%	400 mbar	50 mbar	400 mbar	10 mbar	50 ms
55%	550 mbar	50 mbar	550 mbar	10 mbar	100 ms
65%	650 mbar	50 mbar	650 mbar	10 mbar	250 ms
75%	750 mbar	50 mbar	750 mbar	10 mbar	500 ms
85%	850 mbar	50 mbar	850 mbar	10 mbar	750 ms
90%	900 mbar	50 mbar	900 mbar	10 mbar	1000 ms
Max.	Control function deactivated		—	—	1500 ms


The value set for H1 must always be greater than the value set for H2. Only settings that meet this specification can be made.




Setting Parameters

The LEDs assigned to the parameters flash to indicate which value is currently being displayed or changed.



Operating structure overview



1. Press the  button to select the parameter to be changed:
 Press once => first parameter "Vacuum limit value H1"
 Press twice => second parameter "Vacuum limit value H2"
 Press three times => third parameter "Blow off time"
 ⇨ The LED for the selected parameter flashes.

2. Change the selected parameter by pressing the  or  button.
 - ⇒ The bar display LED increases or decreases.
3. Press the  button to leave adjustment mode.
 - ⇒ The value will flash briefly to indicate that a changed parameter is being applied.

5.5 Locking the Keypad

- ▶ Pressing the  and  keys at the same time locks the keys.
- ▶ Pressing both keys again unlocks the keypad.

5.6 Vacuum Monitoring

The ejector has an integrated sensor for monitoring the current system vacuum. The vacuum level provides information about the process and has an effect on the following signals and parameters:

- The limit value LED H1
- The limit value LED H2
- The signal output H2

5.7 Signal Output

The ejector has a signal output.

The signal output is a normally open (NO) contact and cannot be changed.

The signal output is switched on or off when the system vacuum is higher or lower than the relevant limit value.

5.8 Control Function

The ejector allows you to conserve compressed air or prevent an excessive vacuum from being generated. Vacuum generation is interrupted when the set limit value H1 is reached. If leakage causes the vacuum to fall below the hysteresis limit value (H1-h1), vacuum generation resumes.

The control function can be deactivated by setting the limit value for H1 to "Max.".

5.9 Depositing the Workpiece/Part (Blowing Off)

In blow off mode, the vacuum circuit of the ejector is supplied with compressed air. This ensures that the vacuum drops quickly, allowing the workpiece to be deposited quickly.

The ejector provides two blow off modes for selection:

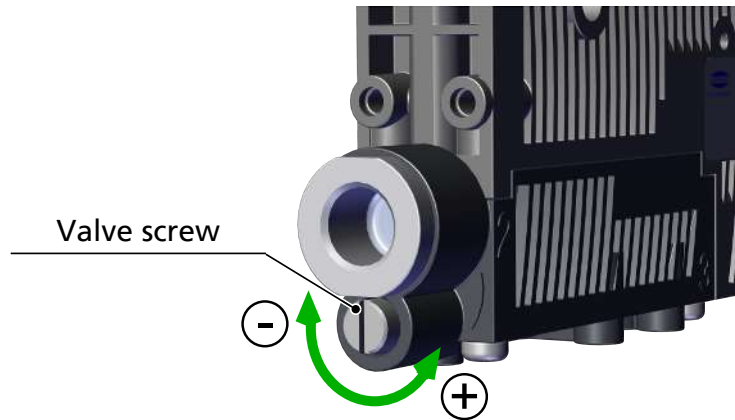
- **Externally controlled blow off:** The "blow off" valve is controlled directly by the "blow off" signal input. The ejector switches to blow off mode for as long as the signal is present.
- **Internally time-controlled blow off:** The "blow off" valve is automatically activated for the configured time period as soon as the ejector leaves "suction" mode. This function makes it possible to save an output on the controller.
 - ▶ The time-controlled blow off is activated by setting a value greater than zero for the blow off time.

5.10 Changing the Blow-Off Flow Rate on the Ejector



Do not overwind the stop on the valve screw. A minimum flow rate of approx. 15 % is always necessary for technical reasons. The blow-off volume flow can be set between 15 % and 100 %.

There is a valve screw below the vacuum connection that can be used to adjust the blow-off flow rate. The valve screw is equipped with a stop on both sides.

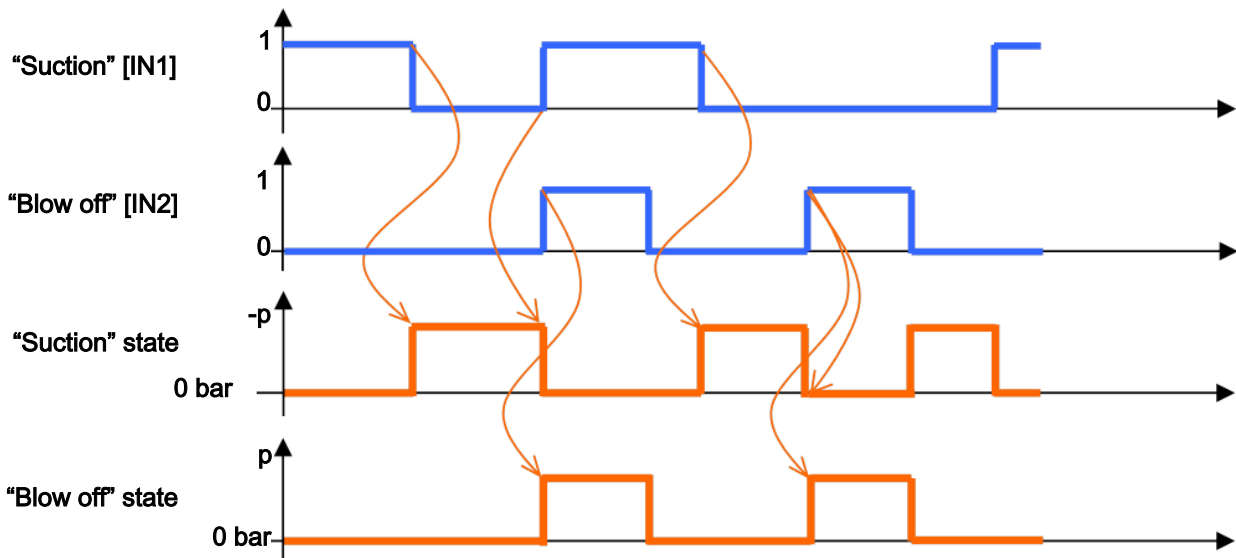


1. Turn the valve screw clockwise to reduce the flow rate.
2. Turn the valve screw counterclockwise to increase the flow rate.

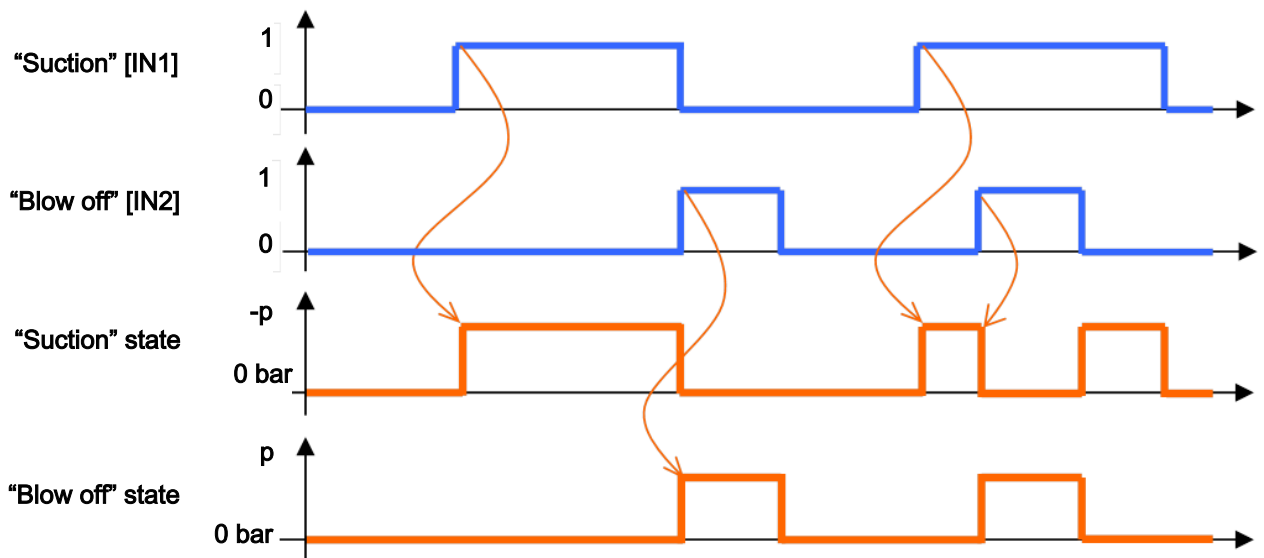
5.11 Signal Type

The signal type, or the ejector switching behavior (PNP or NPN) of the electrical signal inputs and the signal output, is permanently set on the device and is therefore dependent on the ejector version.

5.12 Control Concept for NO Ejectors



5.13 Control Concept for NC Ejectors



5.14 Vacuum unit

The vacuum level in the LED bar is shown as a percentage of the maximum possible vacuum.

If the vacuum is outside the permitted range, the LED next to this bar flashes rapidly. That means the LED flashes "30%" when overpressure is applied.

6 Transport and Storage

6.1 Checking the Delivery

The scope of delivery can be found in the order confirmation. The weights and dimensions are listed in the delivery notes.

1. Compare the entire delivery with the supplied delivery notes to make sure nothing is missing.
2. Damage caused by defective packaging or occurring in transit must be reported immediately to the carrier and J. Schmalz GmbH.

7 Installation

7.1 Installation Instructions



⚠ CAUTION

Improper installation or maintenance

Personal injury or damage to property

- ▶ During installation and maintenance, make sure that the ejector is disconnected and depressurized and that it cannot be switched on again without authorization.

For safe installation, the following instructions must be observed:

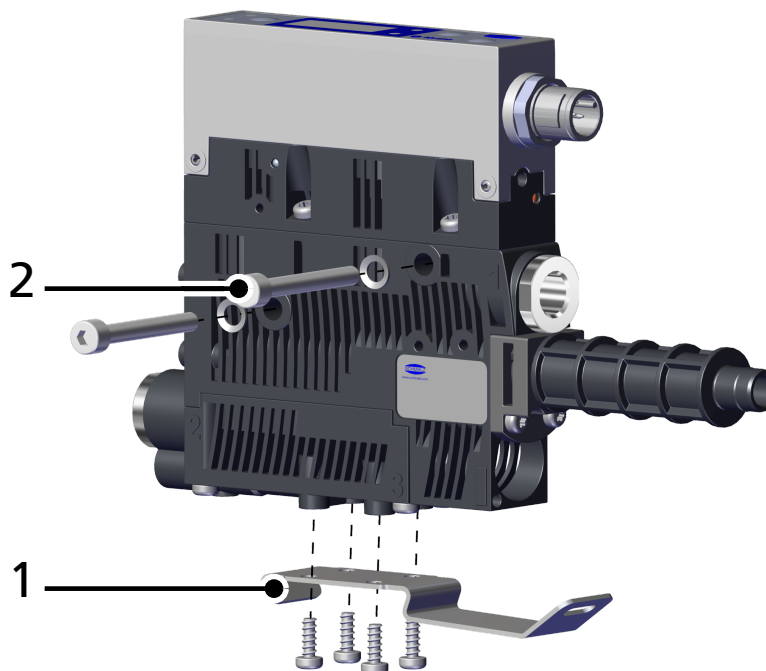
1. Use only the connections, mounting holes and attachment materials that have been provided.
2. Carry out mounting and removal only when the device is in an idle, depressurized state.
3. Pneumatic and electrical line connections must be securely connected and attached to the ejector.

7.2 Mounting

The ejector may be installed in any position.

There are two 4.4 mm mounting holes for mounting the ejector.

A DIN rail mount for DIN rail TS35 can be used as a mounting option.



1 DIN rail mount for TS35 DIN rail, incl. plastic tapping screws
Max. tightening torque 0.5 Nm

2 2x M4 fastening screws with washers

When mounting with fastening screws, use M4 washers (2 Nm max. tightening torque).

For the start of operations, the ejector must be connected to the control via the connection plug with a connection cable. The compressed air required to generate the vacuum is connected via the compressed air connection. The compressed air supply must be supplied by the higher-level machine.

The vacuum circuit is connected to the vacuum connection.
The installation process is described and explained in detail below.

7.3 Pneumatic Connection



⚠ CAUTION

Compressed air or vacuum in direct contact with the eye

Severe eye injury

- ▶ Wear eye protection
- ▶ Do not look into compressed air openings
- ▶ Do not look into the silencer air stream
- ▶ Do not look into vacuum openings, e.g. suction cups



⚠ CAUTION

Noise pollution due to incorrect installation of the pressure and vacuum connections

Hearing damage

- ▶ Correct installation.
- ▶ Wear ear protectors.

7.3.1 Connecting the Compressed Air and Vacuum

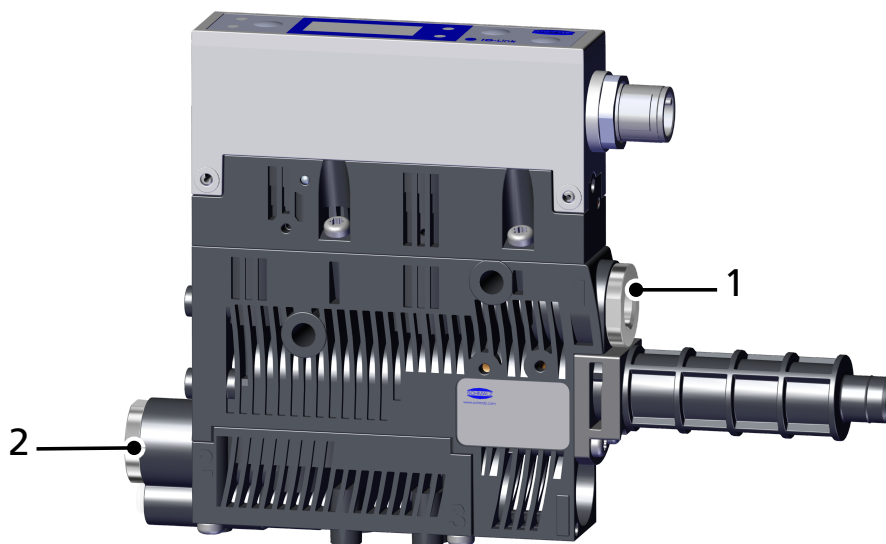


⚠ WARNING

Activating the compressed air causes the ejector module to be forced out of the hole.

Serious personal injury

- ▶ Before activating the compressed air supply, make sure that the ejector module is fixed in place by the holder cap.
- ▶ Wear eye protection



1 Compressed air connection

2 Vacuum connection

The G1/8" thread compressed air connection is marked with the number 1 on the ejector.

- ▶ Connect the compressed air hose. The max. tightening torque is 3 Nm.

The G1/8" vacuum connection is marked with the number 2 on the ejector.

- ▶ Connect the vacuum hose. The max. tightening torque is 3 Nm.

7.4 Electrical connection



⚠ WARNING

Electric shock

Risk of injury

- ▶ Operate the product using a power supply unit with protected extra-low voltage (PELV).



⚠ WARNING

By activating/deactivating the product, output signals lead to an action in the production process!

Personal injury

- ▶ Avoid possible danger zone.
- ▶ Remain vigilant.



NOTE

Incorrect power supply

Destruction of the integrated electronics

- ▶ Operate the product using a power supply unit with protected extra-low voltage (PELV).
- ▶ The system must incorporate safe electrical cut-off of the power supply in compliance with EN60204.
- ▶ Do not connect or disconnect the connector under tension and/or when voltage is applied.



NOTE

Power load too high

Destruction of the vacuum switch, as there is no protection against overloading!

- ▶ Prevent constant load currents > 0.1 A.

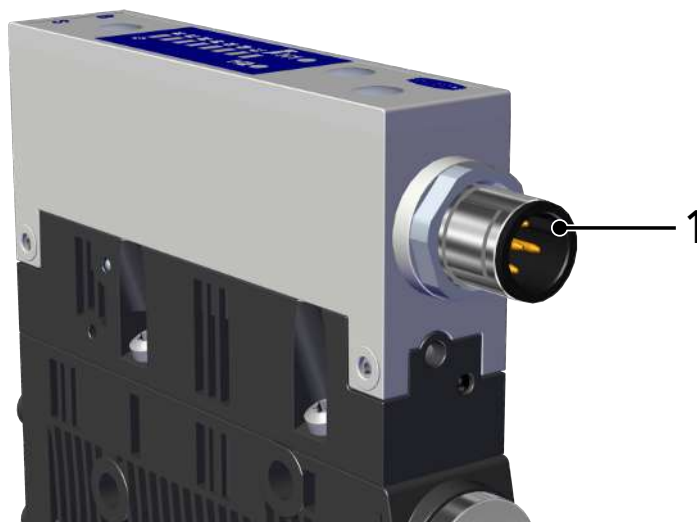
The electrical connection is established using a 5-pin M12 connector that supplies the vacuum switch with voltage, and contains the two input signals and the output signal. The inputs and outputs are not electrically isolated from one another.

The ejector can:

- be connected directly to the controller, for example, using connection cable part no. 21.04.05.00080, or
- use an IN/OUT box.

The maximum permitted cable length for the supply voltage, the signal inputs and the signal output is 30 m.

Connect the ejector electrically using the plug connection 1 shown in the figure

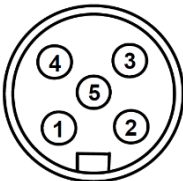


1 Electrical connection plug, M12, 5-pin

- ✓ Prepare a connection cable with an M12 5-pin connector (supplied by the customer).
- ▶ Attach the connection cable to the electrical connection (1) on the ejector (max. tightening torque = hand-tight).

7.4.1 PIN Assignment

PIN assignment, 5-pin M12 connector

M12 connector	PIN	Wire color ¹⁾	Symbol	Function
	1	Brown	$U_{S/A}$	Supply voltage for sensors/actuators
	2	White	IN1	"Suction" signal input
	3	Blue	$GND_{S/A}$	Ground for sensors/actuators
	4	Black	OUT	"Part Present" check signal output (H2/h2)
	5	Gray	IN2	"Blow off" signal input

¹⁾ When using Schmalz connection cable part no. 21.04.05.00080

7.5 Process Data

During operation of the ejector, all input and output signals are connected to a controller, either directly or using intelligent terminal boxes.

For this purpose, not only the supply voltage but also two input signals and one output signal should be connected to allow the ejector to communicate with the controller.

The basic ejector functions such as suction, blow off and feedback are used with these signals.

In detail, they are:

Process data INPUT

Signal	Symbol	Parameter
0	OUT 1	Vacuum limit value H2 ("Part Present" check)

Process data OUTPUT

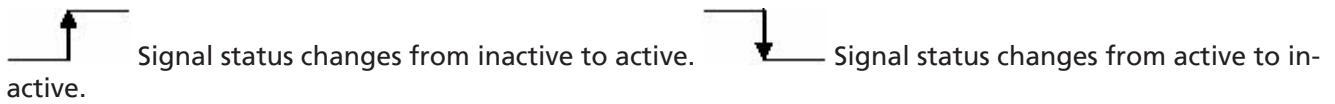
Signal	Symbol	Parameter
0	IN 1	Suction ON/OFF
1	IN 2	Blow off ON/OFF

7.6 Start of Operations

A typical handling cycle is divided into the following three phases: pickup, blowoff and idle.

To check whether sufficient vacuum has built up, the limit value H2 is monitored by an integrated vacuum sensor during suction and output to the higher-level controller via OUT.

Phase	Switching step	NC version		NO version			
		Signal	Status	Signal	Status		
1	1		IN1	Suction ON		IN1	Suction ON
	2		OUT	Vacuum > H2		OUT	Vacuum > H2
2	3		IN1	Suction OFF		IN1	Suction OFF
	4		IN2	Blow off ON		IN2	Blow off ON
3	5		OUT	Vacuum < (H2-h2)		OUT	Vacuum < (H2-h2)
	6		IN2	Blow off OFF		IN2	Blow off OFF



8 Operation

8.1 Safety Instructions for Operation



⚠ CAUTION

Depending on the purity of the ambient air, the exhaust air can contain particles, which escape from the exhaust air outlet at high speed.

Eye injuries

- ▶ Do not look into the exhaust air flow
- ▶ Wear eye protection



⚠ CAUTION

When the system is started in automatic operation, components move without advanced warning.

Risk of injury

- ▶ Ensure that the danger zone of the machine or system is free of persons during automatic operation.



⚠ WARNING

Suspended load

Risk of serious injury

- ▶ Do not walk, stand or work under suspended loads.



⚠ WARNING

Change of output signals when product is switched on or plug is connected

Risk of injury to persons and damage to property due to uncontrolled movements of the higher-level machine/system!

- ▶ The electrical connection must be performed only by specialists who can evaluate the effects of signal changes on the overall system.



⚠ WARNING

Extraction of hazardous media, liquids or bulk material

Personal injury or damage to property!

- ▶ Do not extract harmful media such as dust, oil mists, vapors, aerosols etc.
- ▶ Do not extract aggressive gases or media such as acids, acid fumes, bases, biocides, disinfectants or detergents.
- ▶ Do not extract liquids or bulk materials, e.g. granulates.

8.2 General Preparations

Always carry out the following tasks before activating the system:

1. Before each start of operations, check that the safety features are in perfect condition.
2. Check the ejector for visible damage and deal with any problems immediately (or notify your supervisor).
3. Ensure that only authorized personnel are present in the working area of the machine or system and that no other personnel are put in danger by switching on the machine.

There must be no people in the system danger area while it is in operation.

9 Troubleshooting

9.1 Help with Faults

Vacuum generation fault	Cause	Solution
Ejector does not respond	No actuator supply voltage	▶ Check electrical connection and pin assignment
	No compressed air supply	▶ Check the compressed air supply.
	Ejector is faulty.	▶ Check the ejector and contact Schmalz Service if necessary.
Vacuum level is not reached or vacuum is created too slowly	Press-in screen in contaminated	▶ Replace screen
	Silencer is dirty	▶ Replace silencer insert
	Hose or screw unions are leaking	▶ Replace or seal components
	Leakage at suction cup	▶ Eliminate leakage from suction cup
	Operating pressure too low	▶ Increase operating pressure, observe maximum limits
	Internal diameter of hose line too small	▶ Observe recommendations for hose diameter
Load cannot be held	Vacuum level too low	▶ Increase the control range for the air saving function
	Suction cup too small	▶ Select a larger suction cup

10 Maintenance

10.1 Safety

Maintenance work may only be carried out by qualified personnel.

- ▶ Create atmospheric pressure in the ejector's compressed air circuit before working on the system!



⚠ WARNING

Risk of injury due to incorrect maintenance or troubleshooting

- ▶ Check the proper functioning of the product, especially the safety features, after every maintenance or troubleshooting operation.



NOTE

Incorrect maintenance work

Damage to the ejector!

- ▶ Always switch off supply voltage before carrying out any maintenance work.
- ▶ Secure it so that it cannot be switched back on.
- ▶ The ejector must only be operated with a silencer and press-in screens.

10.2 Cleaning the Ejector

1. For cleaning, do not use aggressive cleaning agents such as industrial alcohol, white spirit or thinners. Only use cleaning agents with pH 7–12.
2. Remove dirt on the exterior of the device with a soft cloth and soap suds at a maximum temperature of 60° C. Make sure that the silencer is not soaked in soapy water.
3. Ensure that no moisture can reach the electrical connection or other electrical components.

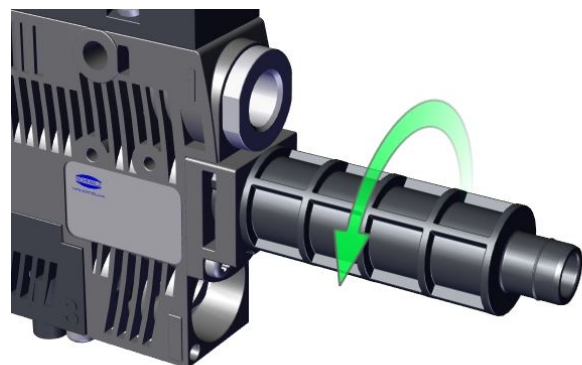
10.3 Replacing the Silencer Insert

Heavy infiltration of dust, oil, and so on, may contaminate the silencer insert and reduce suction capacity. Cleaning the silencer insert is not recommended due to the capillary effect of the porous material.

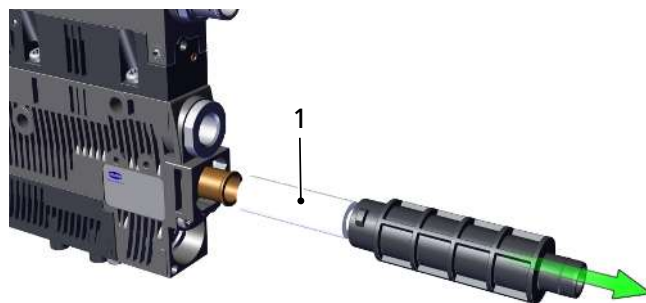
If the suction capacity decreases, replace the silencer insert:

- ✓ Deactivate the ejector and disconnect it from the supply lines.

1. Unlock the silencer cover by turning the bayonet fastener 90°.



2. Remove the silencer cover.



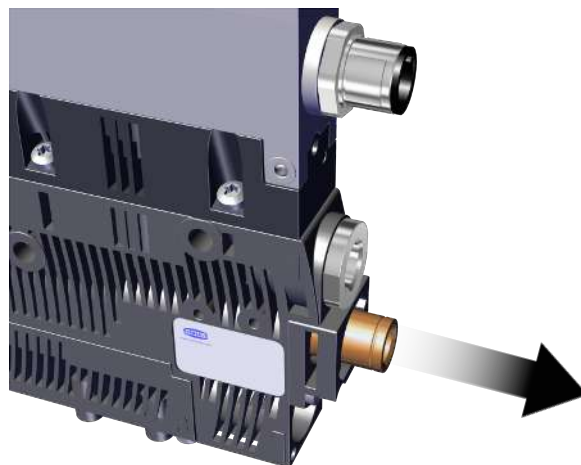
3. Replace the silencer insert (1).

10.4 Cleaning or Changing the Nozzle

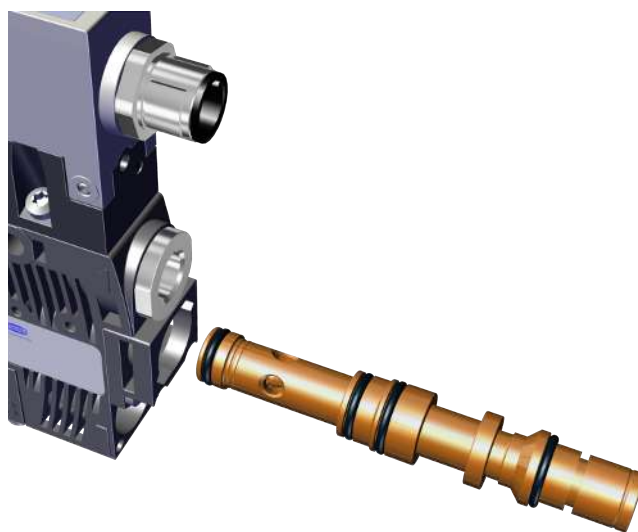
The easy access to the silencer insert and nozzle provided by the silencer cover with bayonet fastener ensures that the nozzle is easy to clean and replace.

- ✓ The ejector is deactivated and disconnected from the supply lines.
- ✓ The silencer cover and silencer insert are removed ((> See *ch. Replacing the Silencer Insert, Page 32*)).

1. Pull the nozzle out of the holder.

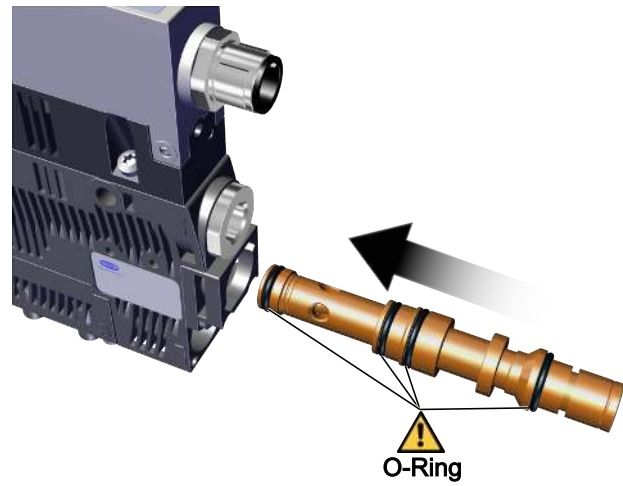


⇒ The nozzle is removed together with the O-ring.



2. Check the nozzle and clean or replace it if necessary.

3. Install any cleaned or new nozzle in the correct position. Ensure that the O-ring is fitted.



10.5 Replacing the Press-In Screens

The vacuum and compressed air connections of the ejectors contain press-in screens. Dust, chippings and other solid materials may be deposited in the screens over time.

- ▶ If you notice that the performance of the ejectors has declined, replace the screens.

11 Warranty

This system is guaranteed in accordance with our general terms of trade and delivery. The same applies to spare parts, provided that these are original parts supplied by us.

We are not liable for any damage resulting from the use of non-original spare parts or accessories.

The exclusive use of original spare parts is a prerequisite for the proper functioning of the ejector and for the validity of the warranty.

Wearing parts are not covered by the warranty.

Opening the ejector will damage the "tested" labels. This voids the warranty.

12 Spare and Wearing Parts, Accessories

12.1 Spare and Wearing Parts

Maintenance work may only be carried out by qualified personnel.

- ▶ **WARNING! Risk of injury due to improper maintenance!** After performing any maintenance or repair work, check that the system is functioning correctly, particularly the safety features.



NOTE

Incorrect maintenance work

Damage to the ejector!

- ▶ Always switch off the supply voltage before carrying out maintenance work.
- ▶ Secure it so that it cannot be switched back on.
- ▶ Ejector must be operated only with a silencer and press-in screens.

The following list contains the most important spare and wearing parts.

Part no.	Designation	Legend
10.02.02.05030	Silencer insert	W
10.02.02.03376	Screen	S
10.02.02.06259	Ejector vacuum kit (assembled); size 07 nozzle set VACU-SET 07 12.80x76.60 SCPS	S
10.02.02.06279	Ejector vacuum kit (assembled); size 11 nozzle set VACU-SET 11 12.80x76.60 SCPS	S
10.02.02.05052	Ejector vacuum kit (assembled); size 16 nozzle set VACU-SET 16 12.80x76.60 SCPS	S
10.02.02.06343	Ejector maintenance kit WART SCPS/SCPSi-O-Ring-SET	S

Legend:

- Wearing part = W
- Spare part = S

12.2 Accessories

Part no.	Designation	Note
10.02.02.00158	Connection cable	M12, 5-pin, to 5-pin M12 connector, 1 m
21.04.05.00080	Connection cable	M12, 5-pin, with open end, 5 m

13 Decommissioning and Recycling

13.1 Disposing of the Ejector

1. Dispose of the product properly after replacement or decommissioning.
2. Observe the country-specific guidelines and legal obligations for waste prevention and disposal.

13.2 Materials Used

Component	Material
Housing	PA6-GF, PC-ABS
Inner components	Aluminum alloy, anodized aluminum alloy, brass, galvanized steel, stainless-steel, PU, POM
Silencer insert	Porous PE
Screws	Galvanized steel
Seals	Nitrile rubber (NBR)
Lubrication	Silicone-free

14 EC Conformity

EU Conformity Declaration

The manufacturer Schmalz confirms that the product Ejector described in these Operating instructions fulfills the following applicable EU directives:

2014/30/EU	Electromagnetic Compatibility
2011/65/EU	RoHS Directive

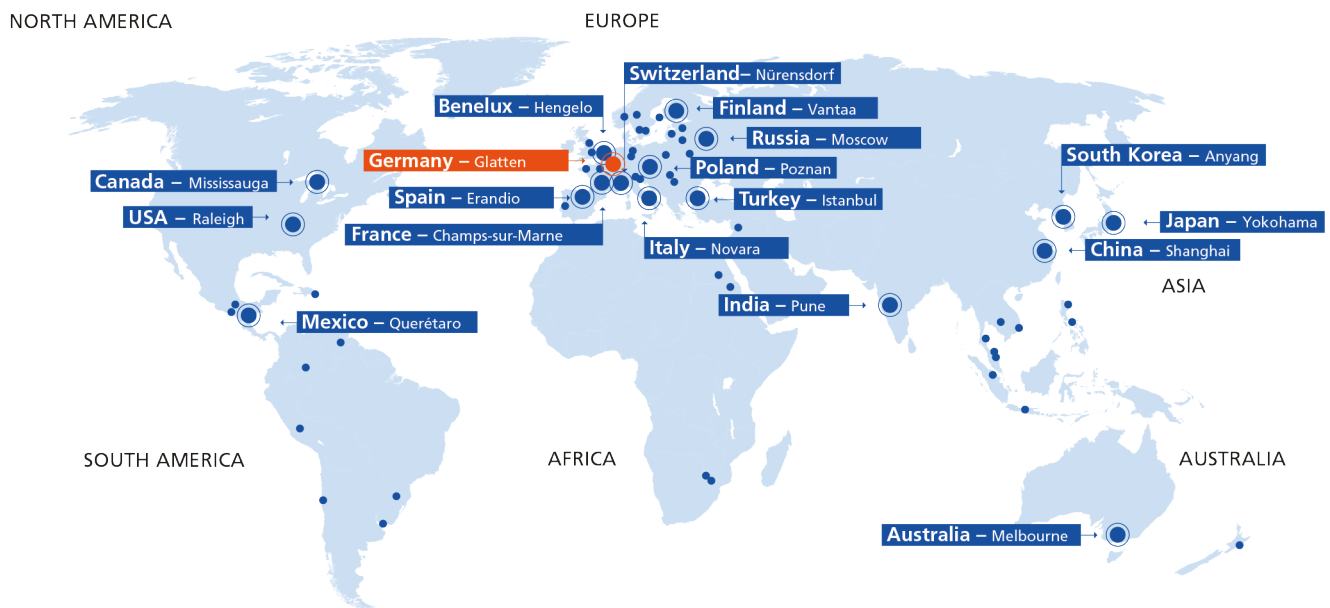
The following harmonized standards were applied:

EN ISO 12100	Safety of machinery — General principles for design — Risk assessment and risk reduction
EN 61000-6-3+A1+AC	Electromagnetic compatibility (EMC) - Part 6-3: Generic standards - Emission standard for residential, commercial and light-industrial environments
EN 61000-6-2+AC	Electromagnetic compatibility (EMC) - Part 6-2: Generic standards - Immunity for industrial environments
EN IEC 63000	Technical documentation for the assessment of electrical and electronic products with respect to the restriction of hazardous substances



The EU Declaration of Conformity valid at the time of product delivery is delivered with product or made available online. The standards and directives cited here reflect the status at the time of publication of the Operating instructions.

At your side worldwide



● Headquarters

Schmalz Germany – Glatten

● Sales Partners

You can find the Schmalz sales partner in your country at:
WWW.SCHMALZ.COM/SALESNETWORK

● Subsidiaries

Schmalz Australia – Melbourne
 Schmalz Benelux – Hengelo (NL)
 Schmalz Canada – Mississauga
 Schmalz China – Shanghai
 Schmalz Finland – Vantaa
 Schmalz France – Champs-sur-Marne
 Schmalz India – Pune
 Schmalz Italy – Novara
 Schmalz Japan – Yokohama

Schmalz Mexico – Querétaro
 Schmalz Poland – Suchy Las (Poznan)
 Schmalz Russia – Moscow
 Schmalz South Korea – Anyang
 Schmalz Spain – Erandio (Vizcaya)
 Schmalz Switzerland – Nürens Dorf
 Schmalz Turkey – Istanbul

Vacuum Automation

WWW.SCHMALZ.COM/AUTOMATION

Handling Systems

WWW.SCHMALZ.COM/HANDLINGSYSTEMS

J. Schmalz GmbH
 Johannes-Schmalz-Str. 1
 72293 Glatten, Germany
 T: +49 7443 2403-0
 schmalz@schmalz.de
 WWW.SCHMALZ.COM