

Compact ejector

SCPS-UHV-HD 16 G02 NO NPN

Part no...:10.02.02.05325

<https://www.schmalz.com/10.02.02.05325>

Home > Vacuum Technology for Automation > Vacuum Components > Vacuum Generators > Compact Ejectors > Compact Ejectors SCPS- / SCPSb- / SCPSi-UHV-HD > SCPS-UHV-HD 16 G02 NO NPN

Compact ejector with special nozzle technology for increased vacuum level

Nozzle diameter: 1.6 mm

Connection: G1/8"(1)-G1/8"(2)

Suction rate (max.): 53.2 l/min

Air consumption suction: 105.6 l/min

Sound level free: 75 dB(A)

Pressure range (operating pressure): 2.0 ... 6.0 bar

Max. vacuum: -910 mbar

Control valve: Normally open

Function: Digital air-saving function

Protection type IP: IP 65 (with plug)

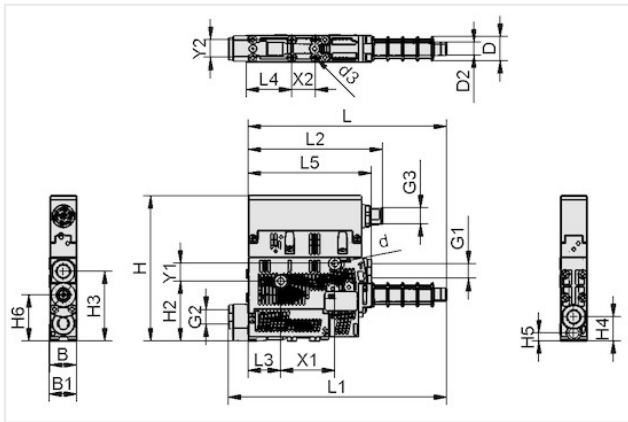
Design Data

Compact ejector

SCPS-UHV-HD 16 G02 NO NPN

Part no...:10.02.02.05325

<https://www.schmalz.com/10.02.02.05325>



Attribute	Value
B	18 mm
B1	18.60 mm
d	4.40 mm
d3	2.60 mm
G1	G1/8"-F
G2	G1/8"-F
G3	M12x1-M
H	99 mm
H2	40.80 mm
H3	47.50 mm
H4	16.50 mm
H5	5.50 mm
H6	31.50 mm
L	135 mm
L1	148.40 mm
L2	91.50 mm
L3	22 mm
L4	29.50 mm
L5	83.80 mm
X1	36.90 mm
X2	16 mm
Y1	12 mm
Y2	12 mm

Technical Data

Attribute	Value
Nozzle size	16
Degree of evacuation	91 %
Suction rate (max.)	53.20 l/min
Suction rate (max.)	3.20 m ³ /h
Air consumption suction	105.60 l/min
Air consumption suction	6.30 m ³ /h
Air consumption blow off	7.20 m ³ /h
Sound level free	75 dB(A)
Sound level suction	77 dB(A)
Pressure range (operating pressure)	2.0 ... 6.0 bar
Connection	G02
Control valve	Normally open

Contact Schmalz

J. Schmalz GmbH | Johannes-Schmalz-Str.1, DE-72293 Glatten | +49 7443 2403-105 | kundencenter@schmalz.de

Compact ejector

SCPS-UHV-HD 16 G02 NO NPN

Part no...:10.02.02.05325

<https://www.schmalz.com/10.02.02.05325>

Weight	0.21 kg
Max. air consumption blow off	120 l/min
Operating temperature	5 ... 50 °C
Pressure range (operating pressure)	29.0 ... 87.0
Air consumption blow off	4.24 cfm
Air consumption suction	3.73 cfm
Suction rate (max.)	1.88 cfm
Max. vacuum	-26.87 inHg
Product family	SCPS

Accessories



ASK B-M12-5 5000 K-5P

Part no...:21.04.05.00080

Electrical connection: Fem connect M12, 5 pol

Cable length: 5,000 mm

Material hose: PUR cable



ASK B-M12-5 1000 S-M12-5

Part no...:21.04.05.00158

Pressure range (operating pressure): bar

Compact ejector

SCPS-UHV-HD 16 G02 NO NPN

Part no...:10.02.02.05325

<https://www.schmalz.com/10.02.02.05325>



ASK B-M12-5 2000 S-M12-5

Part no...:21.04.05.00211

Pressure range (operating pressure): bar



ASV SMPI/SCPI 2xS-M12-4

Part no...:10.02.02.03490

Pressure range (operating pressure): bar

Length L: 1,050 mm



HUT-SN-KL SCPS

Part no...:10.02.02.04149

Construction use: Compact ejectors SCPS/SCPSi

Compact ejector

SCPS-UHV-HD 16 G02 NO NPN

Part no...:10.02.02.05325

<https://www.schmalz.com/10.02.02.05325>



VFI CN8/6 50

Part no...:10.07.01.00245

Connection: Hose 8/6 with Cap nut

Filter pore size: 50 µm



VFT G1/4-IG 80

Part no...:10.07.01.00119

Connection: G1/4"-F

Shape: Short filter insert

Nominal flow rate: 6.6 m³/h

Filter pore size: 80 µm

Spare parts



SD 16.5x51 SCPS

Part no...:10.02.02.05094

External diameter D: 16.5 mm

Length L: 51 mm

Construction use: Compact ejectors SCPS/SCPSi

Compact ejector

SCPS-UHV-HD 16 G02 NO NPN

Part no...:10.02.02.05325

<https://www.schmalz.com/10.02.02.05325>



VACU-SET 16 12.80x76.60 SCPS

Part no...:10.02.02.05052

Nozzle size: 1.6 mm

External diameter D: 12.8 mm

Length L: 76.6 mm

Construction use: Compact ejectors SCPS/SCPSi



WART SCPS/SCPSi-HD

Part no...:10.02.02.06343

Size: HD