

LAMP® EXCELOCK® LOCK UNIT FOR GLASS SLIDING DOOR XL-ELU-SD PAT



XL-ELU-SDR (Right)

- The lock unit can be unlocked by holding the key ① over the antenna unit ②.
- Used in combination with the strike plate for glass sliding door XL-ESG-SD ③.
- When the cable length is insufficient please use the additional extension cable. When using this product, please remove the extension cable ⑤ and connect it to the optional extension cable.
- For full coordination, use in combination with the upper bracket XL-GC06-CR ④.

[Features]

- The door needs to be properly closed for the lock to engage. We recommend the use of a stopper or door guide for sliding doors, and a door stopper or magnetic catch for hinged doors.

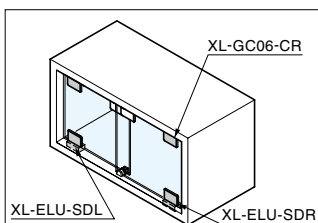
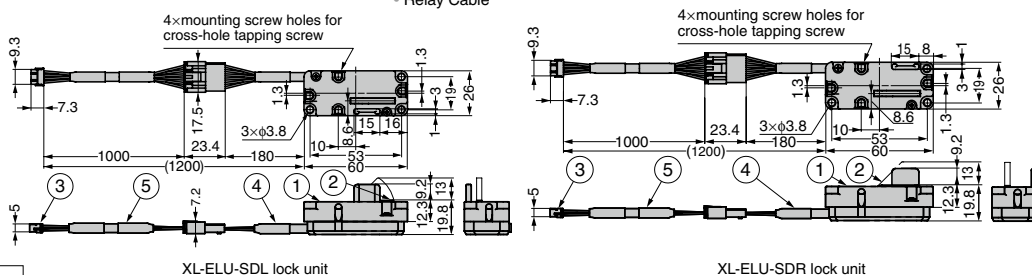
[Parts Included]

- Cross-hole pan-head tapping screw 3.5 × 12 (Inset installation)
- Cross-hole pan-head tapping screw 3.5 × 30 (Surface installation)

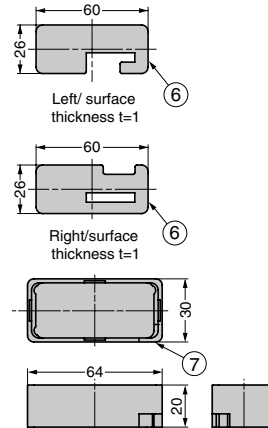
[Optional Parts]

- Relay Cable

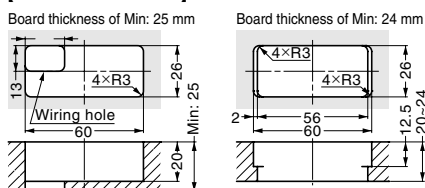
[Component Parts]



No.	Item Name	Material	Finish/Colour
①	Lock Unit Body	Zinc Alloy (ZDC)	Nickel
②	Deadbolt	Stainless Steel	Barrel Polishing
③	Connector	Polyamide (PA)	Natural
④	Connection Cable	-	-
⑤	Relay Cable	-	-
⑥	Cover Plate	Stainless Steel (SUS304)	Chrome
⑦	Bracket	ABS Resin	Black



[Cut Out Dimensions]



[Body]

RoHS	CAD	Item Code	Item Name	Specification	Max. Door Width	Max. Door Height	Glass Thickness
-	2c3c	150-025-452	XL-ELU-SDR	Right	800	1200	8
-	2c3d	150-025-451	XL-ELU-SDL	Left			

Refer to ① : P.E13, ② : P.E12, ③ : P.E14, ④ : No.240A P.642

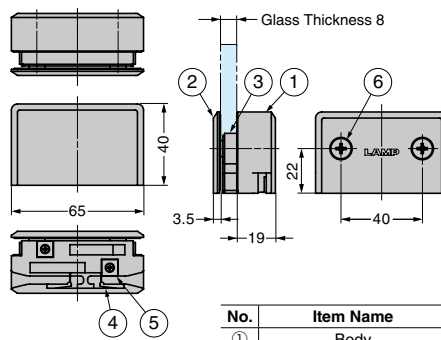
[Relay Cable] Option

RoHS	CAD	Item Code	Item Name	Length
✓	2d	150-045-836	XL-ELU-EC2000	2000
✓	2d	150-045-837	XL-ELU-EC4000	4000

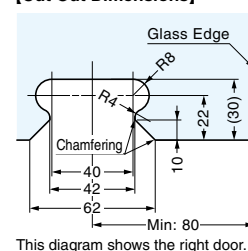
LAMP® EXCELOCK® STRIKE PLATE FOR GLASS SLIDING DOOR XL-ESG-SD



- Used with the XL-ELU-SD lock unit for glass sliding doors ①.
- Can be used for both left and right handed doors.



[Cut Out Dimensions]



This diagram shows the right door.

No.	Item Name	Material	Finish
①	Body	Zinc Alloy (ZDC)	Chrome
②	Cover		
③	Edge Packing	Polyacetal (POM)	Natural
④	Guide Catch	-	-
⑤	Sensor Magnet	Neodymium	Nickel
⑥	Screw	Stainless Steel	Plain

RoHS	CAD	Item Code	Item Name	Max. Door Width	Max. Door Height	Glass Thickness
-	-	150-025-450	XL-ESG-SD	800	1200	8

Refer to ① : P.E14