

**LAMP. EXCELOCK® DRAWER STRIKE PLATE XL-ESD**



- Strike plate for drawers
- Can be used with a slide rail

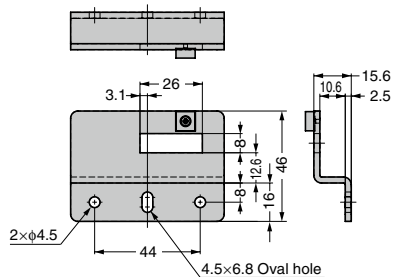
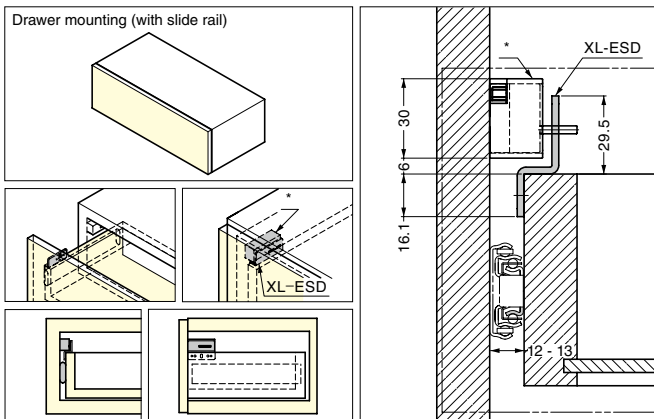
**[Features]**

- Use with a 12 to 13 mm thickness slide rail.

**[Parts Included]**

- Cross-hole pan-head screw 4x16

**[Application Example]**



\* Lock unit XL-ELU 1 (Sold separately)

RoHS	CAD	Item Code	Item Name	Material	Finish
-	2020	150-022-213	XL-ESD	Stainless Steel (SUS304)	Barrel Polishing

Refer to 1: P.E13

**LAMP. EXCELOCK® STRIKE PLATE GLASS MOUNT BRACKET XL-EBSG**

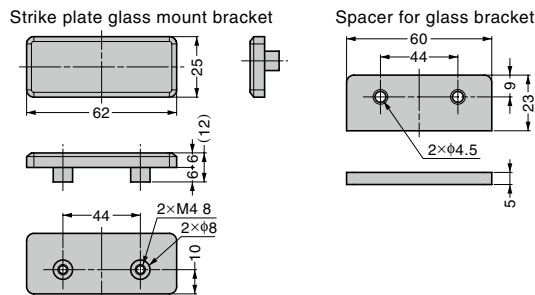
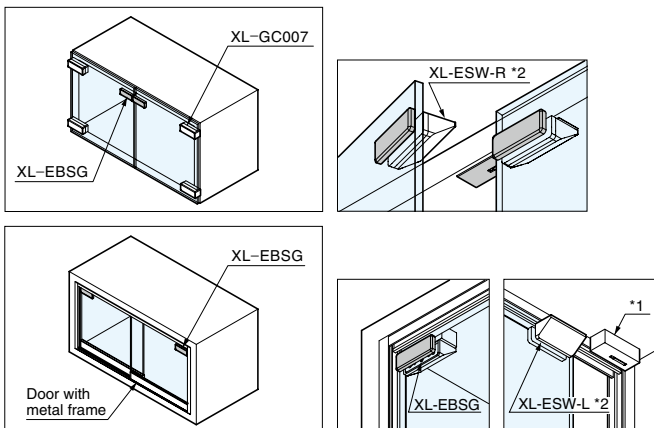


- Gives a perfect style match when used with the XL-GC07-CR glass hinge 1.
- You can use it in combination with a glass sliding door.
- Use it in combination with the strike plate for wood doors (XL-ESW 2).

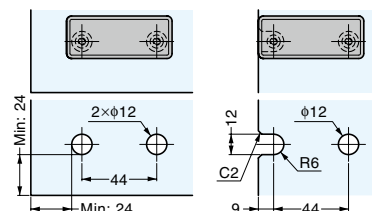
**[Parts Included]**

- Cross-hole pot screw 4x15

**[Application Example]**



**[Cut Out Dimensions]**



\*1 Lock unit XL-ELU 3 (Sold separately)  
\*2 Optional strike plate for wood door XL-ESW 2.

RoHS	CAD	Item Code	Item Name	Material	Finish	Colour	Glass Thickness
-	2020	150-022-214	XL-EBSG	Zinc alloy (ZDC) / ABS resin	Chrome	Black	5, 6, 8

Refer to 1: No.240A P.449, 2: P.E15, 3: P.E13