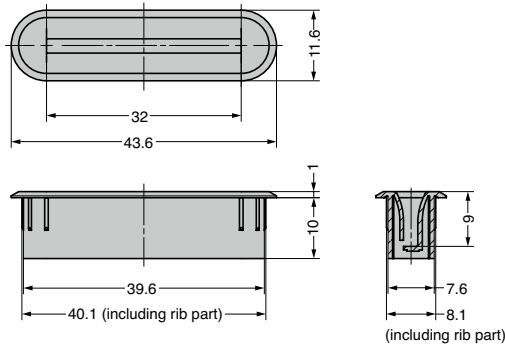


RECESSED COUNTER PLATE GL-UU32 For Glass Door Locks



RoHS	CAD	Item Code	Item Name	Colour	Material	Weight (g)	Box (pcs)	Carton (pcs)
●		150-047-547	GL-UU32-WT	White	ABS	1.4	150	1,500
●		150-047-548	GL-UU32-BL	Black			150	1,500

- Easy push-in installation. No screws are needed.
- Gives a subtle clean look.
- Processed wood surface cannot be seen through the hole.
- Has ramped wedges inside to reduce the gap and prevent doors from rattling.

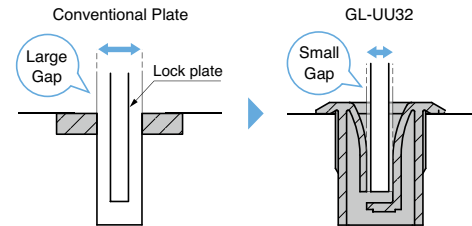
[Specifications]

- Can be used with GS-GL5 and 1310GL locks.

[Remarks]

- If the installation is loose, please use adhesive bond to fix the plate.
- Thickness of the lock plate should be less than 3 mm.

[Rattle-free Mechanism]



[Cut Out Dimensions]

