

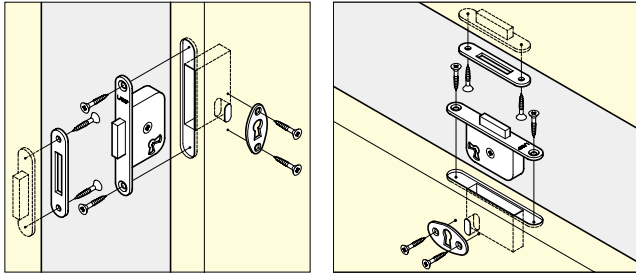
DEAD BOLT LOCK Rounded Edge



Features

- Front plate material: RH-80 - SUS304, RH-80-D - brass.
- 3 key changes available.
- Able to lock from both sides of the door.
- Direction of the key hole on cover plate can be changed at surcharge.

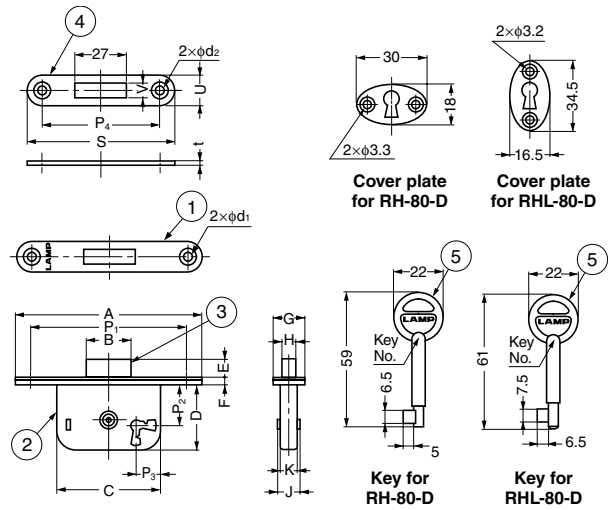
Installation



Item Code	Item Name	Key Type	Weight	Box	Carton
150-001-129	RH -80-D	Key Alike	41 g	12 pcs	204 pcs
150-001-131	RHL-80-D	Key Alike	92 g	12 pcs	120 pcs

	A	B	C	D	E	F	G	H	J	K	P ₁	P ₂	P ₃	d ₁	S	t	U	V	P ₄	d ₂
RH -80-D	78.3	22	40.4	26.5	6	1.5	11	4	9.5	9	67	16.5	8.5	3.5	57	1.6	11	5	46	3.5
RHL-80-D	98	23	53.4	35	9	3.1	16	6.5	11.5	10.5	82	22	12.5	4.7	78	1.5	16	8	62	4.5

RH-80-D, RHL-80-D



No.	Part Name	Material	Finish
①	Front Plate	Stainless Steel (SUS304) (RHL-80-D)	Satin
①	Front Plate	Brass (RH-80-D)	Satin
②	Body	Steel	Yellow Zinc Chromate
③	Dead Bolt	Brass	-
④	Strike	Stainless Steel (SUS304) (RHL-80-D)	Satin
④	Strike	Steel (RH-80-D)	Brass
⑤	Key	Zinc Alloy (ZDC)	Chrome

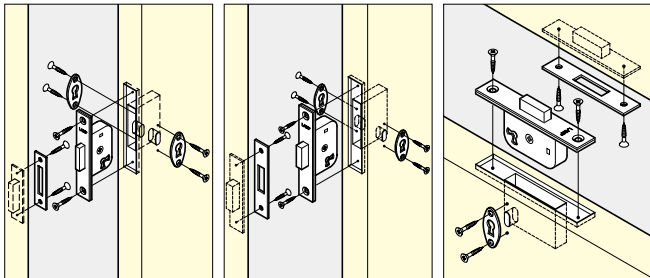
DEAD BOLT LOCK Squared Edge



Features

- Front plate material - SUS304
- 3 key changes available.
- Able to lock from both sides of the door.

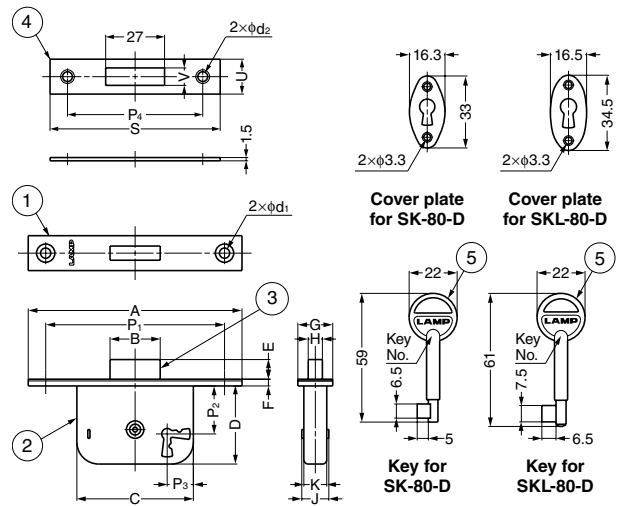
Installation



Item Code	Item Name	Key Type	Weight	Box	Carton
150-001-133	SK -80-D	Key Alike	47 g	12 pcs	204 pcs
150-001-135	SKL-80-D	Key Alike	89 g	12 pcs	120 pcs

	A	B	C	D	E	F	G	H	J	K	P ₁	P ₂	P ₃	d ₁	S	U	V	P ₄	d ₂
SK -80-D	80	22	40.4	26.5	6	2.8	14	4	9.5	9	66	16.5	8.5	3.5	50	12	5	40	3.5
SKL-80-D	98	23	53.4	35	8.5	3	16	6.5	11.5	10.5	82	21	12.5	4.7	78	16	8	62	4.5

SK-80-D, SKL-80-D



No.	Part Name	Material	Finish
①	Front Plate	Stainless Steel (SUS304)	Satin
②	Body	Steel	Yellow Zinc Chromate
③	Dead Bolt	Stainless Steel (SUS304) (SK-80-D)	-
③	Dead Bolt	Brass (SKL-80-D)	-
④	Strike	Stainless Steel (SUS304)	Satin
⑤	Key	Zinc Alloy (ZDC)	Chrome