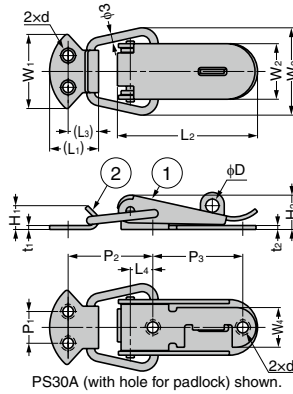


DRAW LATCH PS, P



- Spring loaded to hold lever in retracted position.
- Available with or without hole for padlock 1.
- Stainless steel and brass material available.

[Applications]

- Control boards, measuring equipment, distribution boards, machine tools, etc.

[Stainless Steel PS Type]

RoHS	CAD	Item Code	Item Name	Type	L1	L2	L3	L4	W1	W2	W3	W4	H1	H2	t1	t2	P1	P2	P3	D	d	Tension Force N	Tension Force kgf	Weight (g)	Box (pcs)	Carton (pcs)
✓	SD	120-040-476	PS31A	With Hole for Padlock	16	40	10	8	23	16	26	13	9	9.5	1.2	1	10	30	23	5	Counterbore for M3	98	10	27	-	400
✓	SD	120-040-475	PS30A	for Padlock	18	53	11.5	8.5	28	21	32	15	10	13	1.5	1.5	12	33	34	5.5	M3	147	15	38	-	200
✓	SD	120-049-188	PS31	Without Hole for Padlock	19	39	11	7	24	16	25.5	13	8	9.5	1.2	1	10	(30)	23	-	φ3.4 φ5.2	98	10	18	500	-
✓	SD	120-049-671	PS30	for Padlock	18	53	11.5	8.5	28	21	32	15	10	13	1.5	1.5	12	33	34	-	Counterbore for M3	147	15	40	500	-

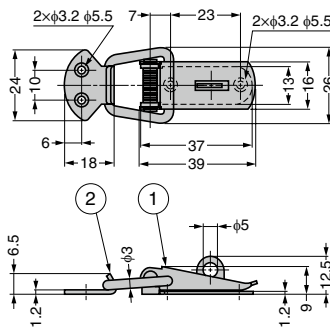
No.	Part Name	Material	Finish
①	Body	Stainless Steel (SUS304)	Barrel
②	Counter Plate		Polished

[Brass P Type]

RoHS	CAD	Item Code	Item Name	Type	L1	L2	L3	L4	W1	W2	W3	W4	H1	H2	t1	t2	P1	P2	P3	D	d	Tension Force N	Tension Force kgf	Weight (g)	Box (pcs)	Carton (pcs)
✓	SD	120-049-313	P31A	With Hole for Padlock	18	39	10.5	7	24	16	26	13	8	9.5	1.2	1	10	(28)	23	5	φ3.4 φ5.2	78	8	4	500	-
✓	SD	120-049-311	P30A	for Padlock	18.5	52	11.5	8.5	28	22	31.5	15	9	13	1.5	1.5	12	(32)	34	5.2	φ3.2 φ6.2	98	10	43	500	-
✓	SD	120-049-314	P31	Without Hole for Padlock	18	39	10.5	7	24	16	26	13	8	9.5	1.2	1	10	(28)	23	-	φ3.4 φ5.2	78	8	21	500	-
✓	SD	120-049-312	P30	for Padlock	18.5	52	11.5	8.5	28	22	31.5	14.8	9	13	1.5	1.5	12	(32)	34	-	φ3.2 φ6.2	98	10	-	500	-

Refer to 1 : P.748

DRAW LATCH P11



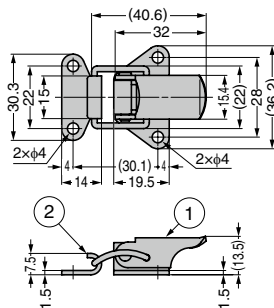
- Spring loaded to hold lever in retracted position.
- Can be used with padlock 1.

No.	Part Name	Material	Finish
①	Body	Steel (SPCC)	Nickel
②	Counter Plate		

RoHS	CAD	Item Code	Item Name	Weight (g)	Box (pcs)	Carton (pcs)
✓	SD	120-044-004	P11	17.3	200	1000

Refer to 1 : P.748

STAINLESS STEEL DRAW LATCH P100SUS



No.	Part Name	Material	Finish
①	Body	Stainless Steel (SUS304)	Barrel Polished
②	Counter Plate		

RoHS	CAD	Item Code	Item Name	Weight (g)	Box (pcs)	Carton (pcs)
✓	SD	120-044-003	P100SUS	22.5	200	800