

CORNER FASTENER STF-A56AH/STF-A56AC Parallel Mount Type / Perpendicular Mount Type

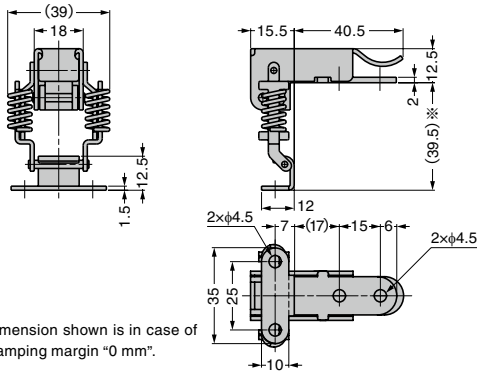


● Designed to allow front operation.

[Applications]

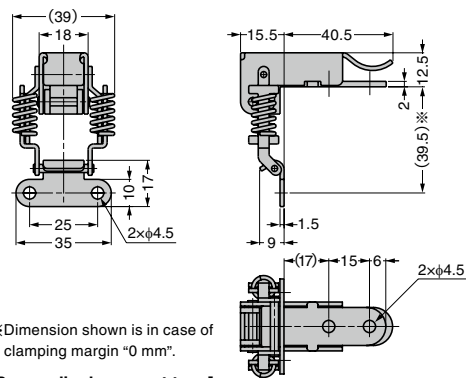
- Doors and covers required for dust proof and drip proof, etc.
- Doors and covers required for fastening, etc.
- Measuring equipment, communication equipment, machine tools, etc.

STF-A56AH (Parallel mount type)



※Dimension shown is in case of clamping margin "0 mm".

STF-A56AC (Perpendicular mount type)



※Dimension shown is in case of clamping margin "0 mm".

[Parallel mount type]

RoHS	CAD	Item Code	Item Name	Material	Finish	Weight (g)	Box (pcs)	Carton (pcs)
		120-040-480	STF-A56AH	Stainless Steel (SUS304)	Barrel Polished	56	-	-

[Perpendicular mount type]

RoHS	CAD	Item Code	Item Name	Material	Finish	Weight (g)	Box (pcs)	Carton (pcs)
		120-040-479	STF-A56AC	Stainless Steel (SUS304)	Barrel Polished	55	100	-

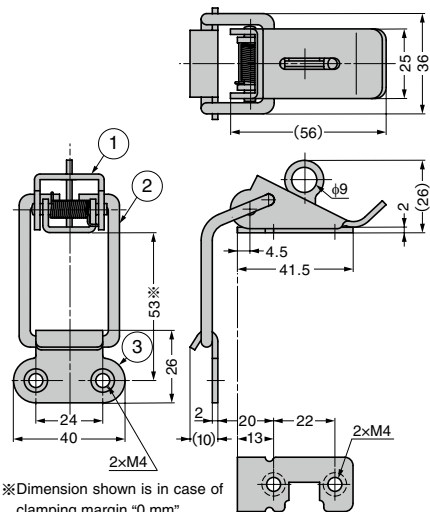
CORNER FASTENER PS34A



- Designed to allow front operation.
- Can be used with padlock

[Applications]

- Doors and covers required for dust proof and drip proof, etc.
- Doors and covers required for fastening, etc.
- Measuring equipment, communication equipment, machine tools, etc.



※Dimension shown is in case of clamping margin "0 mm".

No.	Part Name	Material	Finish
①	Body	Stainless Steel (SUS304)	Barrel Polished
②	Hook		
③	Counter Plate		

RoHS	CAD	Item Code	Item Name	Tension Force※N	Tension Force※kgf	Weight (g)	Box (pcs)	Carton (pcs)
		120-049-193	PS34A	147	15	88	1	-

Refer to : P.748

※In case of clamping margin "0.5mm"

