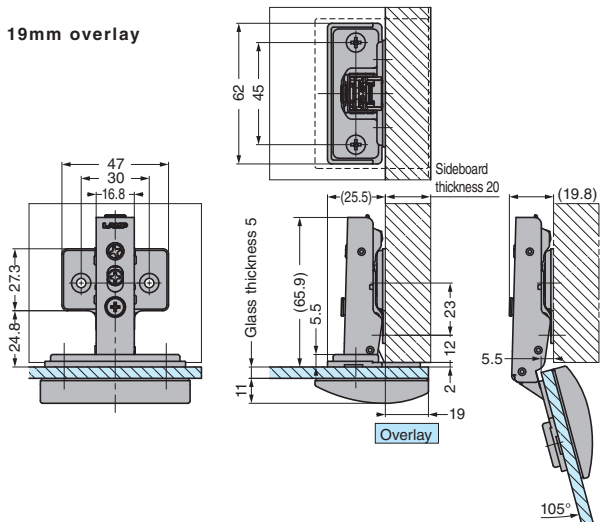
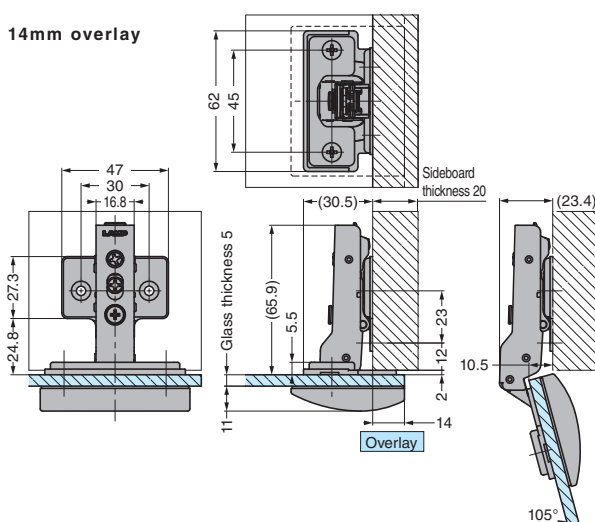


Installation drawing

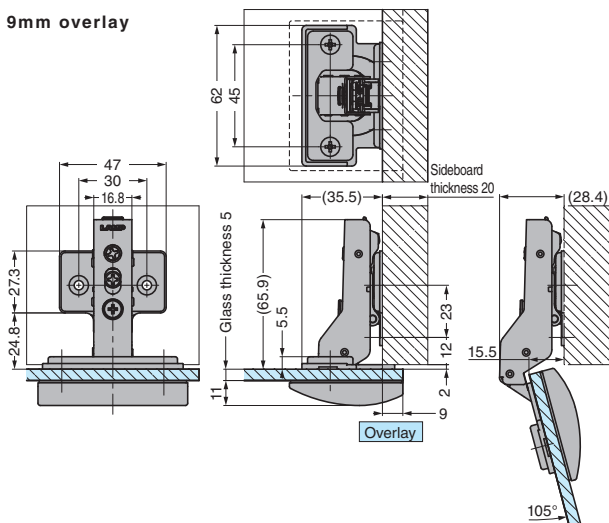
19mm overlay



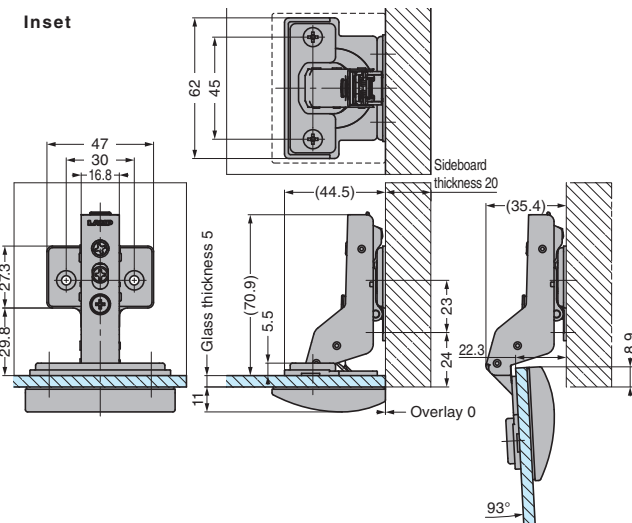
14mm overlay



9mm overlay

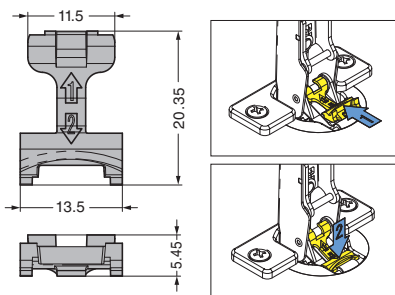


Inset



Drawings show a hinge, face plate and 360-P4W-30T mounting plate (sold separately).

LAMP® 85° angle limiter 360-85



○ Can be retrofitted to a 105° opening Olympia hinge (standard door) to limit the opening angle to 85°.

[Remarks]

● Not available for inset use.

Item code	Item name
NEW CAD G 160-042-335	360-85

LAMP® Installation jig 360-JIG overlay installation



- For easy installation and alignment of the Olympia hinge mounting plate.
- Cannot be used in combination with 360-P6W32-32T and pre-mounted screw mounting plates.

Item code	Item name	Box	Carton
NEW CAD G 160-042-396	360-JIG	50pc	500pcs