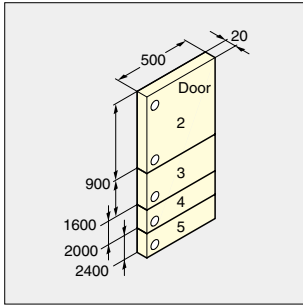
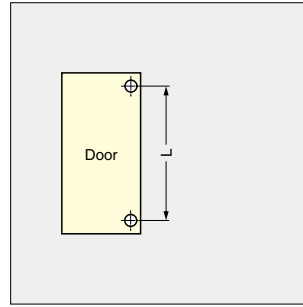


RECOMMENDED NUMBER OF HINGES PER DOOR



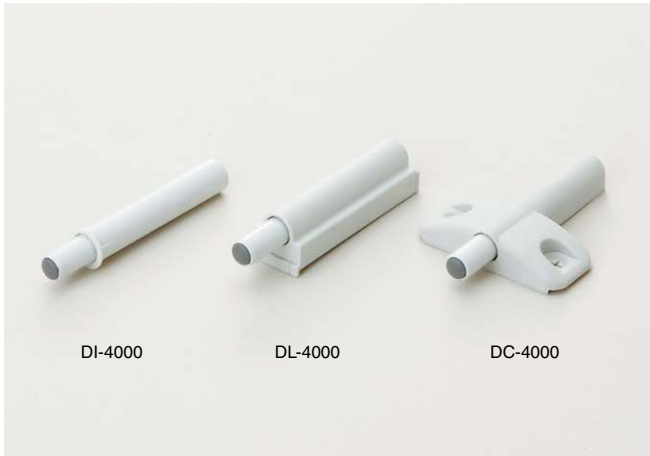
This chart can serve as a guide for determining the number of hinges per door.



L: The distance between the top and bottom hinges must be greater than the width of the door.

CABINET DAMPER

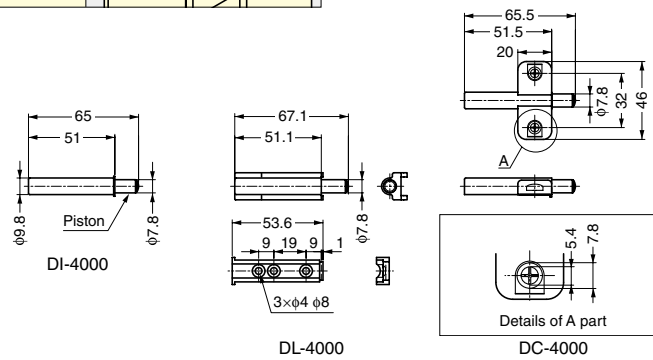
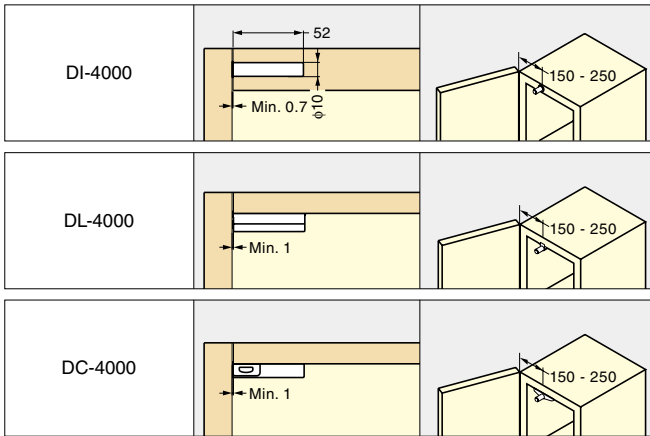
DI-4000, DL-4000, DC-4000



Features

- Damper for overlay swing door which absorbs the impact when closing.
- Top mounting type
- Please use it with concealed hinge with catch. (Refer to P.362 - 367 on INDEX)
- Recommended door size: W300 - 500xMax.: H800x118 mm (3 - 5 kg)

Installation



Item Code	Item Name	Material	Colour	Weight	Box	Carton
210-030-319	DI-4000	Polyamide (PA)	White	6 g	500 pcs	1000 pcs
210-030-320	DL-4000	Polyamide (PA)	White	12 g	250 pcs	500 pcs
210-030-318	DC-4000	Polyamide (PA)	White	9 g	250 pcs	500 pcs