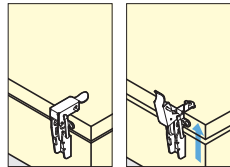
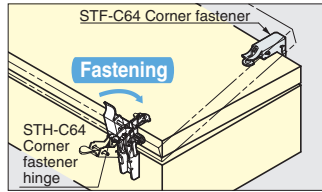


CORNER FASTENER HINGE (W/ LOCK)



STH-C64



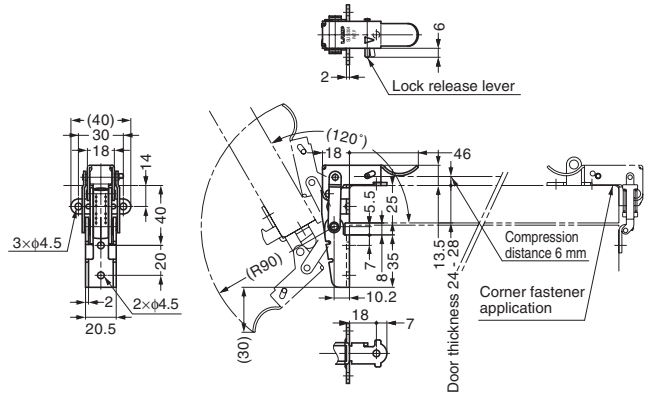
Pull the lever and lift the latch to open the lid.

Features

- Compresses cover to achieve better sealing.
- Works with STF-C64 fastener (P.278).
- To be used with rubber gasket.
- Locks when fastened to prevent accidental release.



1. After locked. 2. Pull the lever and lift the latch. 3. Release the lock of the fastener to open the lid.



Item Code	Item Name	Material	Finish	Door Width	Door Height	Door Thickness	Door Weight	Weight	Box	Carton
170-091-430	STH-C64	Stainless Steel (SUS304)	Mirror	Max. 300	Max. 400/2 pcs	24 - 28	Max. 2.8 kg/2 pcs	93 g	10 pcs	140 pcs

CONCEALED HINGE (W/ STAY)



HG-YS65C

Discontinued

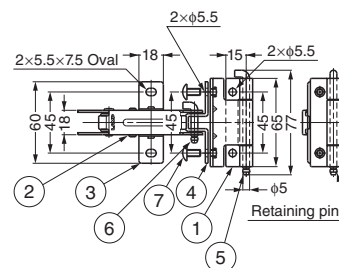
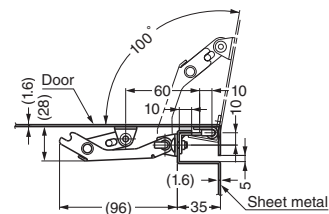


Features

- Combination of hinge and stay.
- Designed for sheet metal application.
- Stay holds door at 100° open position.
- Removable pin (included) allows easy door installation.
- Holding force: 30 kgf-cm/piece.
- Door weight: Max. 10 kg/pair.

Remarks

Ring retainer for pins not included.



No.	Part Name	Material	Finish
①	Hinge	SUS304	Polished
②	Stay		
③	Bracket		
④	Hinge Bracket		
⑤	Pin		
⑥	Hinge Bracket Pin		
⑦	Truss Head Tapping Screw M5x10 (Included)	SUS	-

Item Code	Item Name	Door Weight	Retaining Force	Weight	Box	Carton
170-100-087	☆HG-YS65C	Max. 10 kg/2 pcs	Approx. 294 N-cm (30 kgf-cm)/pc	190 g	10 pcs	100 pcs

☆Limited stock available. Please contact your vendor.

