

# Flat suction cup (round)

PFG 50 PU-55 N008

Part no.: 10.01.01.00057

<https://www.schmalz.com/10.01.01.00057>



Homepage > Vacuum Technology for Automation > Vacuum Components > Vacuum Suction Cups > Flat Suction Cups (Round) > PFG 50 PU-55 N008

## Flat suction cup (round) for smooth or slightly rough surfaces

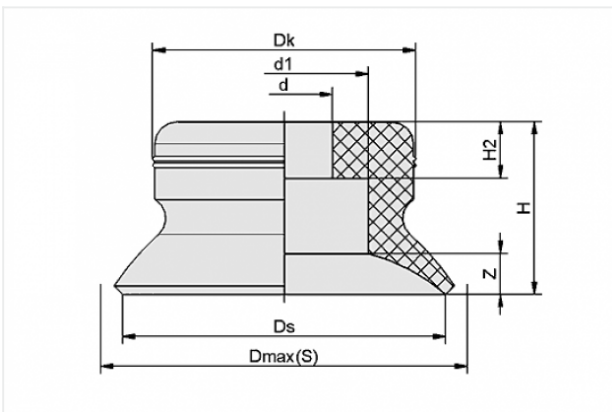


Size: 50

Suction cup material: Polyurethane PU

Material hardness: 55 °Sh

### Design Data



| Attribute | Value |
|-----------|-------|
|-----------|-------|

|   |      |
|---|------|
| d | 8 mm |
|---|------|

|    |       |
|----|-------|
| d1 | 20 mm |
|----|-------|

|    |         |
|----|---------|
| Dk | 29.1 mm |
|----|---------|

|         |         |
|---------|---------|
| Dmax(S) | 53.5 mm |
|---------|---------|

|    |       |
|----|-------|
| Ds | 50 mm |
|----|-------|

|   |       |
|---|-------|
| H | 15 mm |
|---|-------|

|    |      |
|----|------|
| H2 | 7 mm |
|----|------|

|   |      |
|---|------|
| Z | 4 mm |
|---|------|

### Technical Data

#### Contact to Schmalz

J. Schmalz GmbH | Johannes-Schmalz-Straße, 72293 Glatten, Deutschland | +49 7443 2403-102 | [customercenter@schmalz.de](mailto:customercenter@schmalz.de)

| Attribute                   | Value                 |
|-----------------------------|-----------------------|
| Suction force               | 91 N                  |
| Volume                      | 7.076 cm <sup>3</sup> |
| Curve radius (min) (convex) | 75 mm                 |
| Size                        | 50                    |
| Nipple                      | N 008                 |
| Number of folds             | 0                     |
| Suction cup material        | Polyurethane PU       |
| Material hardness           | 55 °Sh                |
| Weight                      | 10.5 g                |
| Product family              | PFG                   |

## Accessories



### SU 50

Part no. 10.01.01.12837

Cover for suction cup

Size: 50

Clamping range: 45.0 ... 60.0 mm

Temperature resistance: 80 °C



**SA-NIP N008 G1/8-AG DN240**

Part no. 10.01.01.03532

Suction cup connection nipple

Nipple: N 008

Thread G1: G1/8"-M

Overall length: 22 mm

Fitting length: 5 mm

Nominal size: 2,40 mm

Material: Aluminium

Spanner size SW2: 4 mm



**SA-NIP N008 G1/8-IG DN350**

Part no. 10.01.01.03524

Suction cup connection nipple

Nipple: N 008

Thread G1: G1/8"-F

Overall length: 25 mm

Fitting length: 16 mm

Nominal size: 3,50 mm

Material: Aluminium

Spanner size SW2: 4 mm