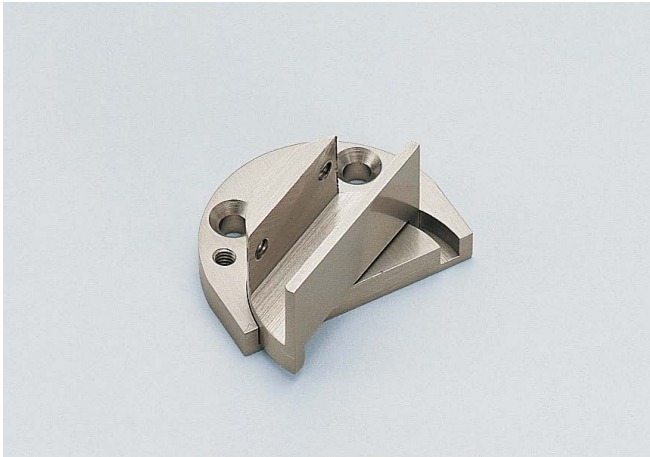


INSET GLASS DOOR PIVOT HINGE

L=R

GP-40

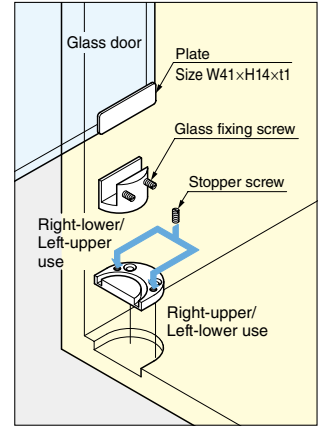
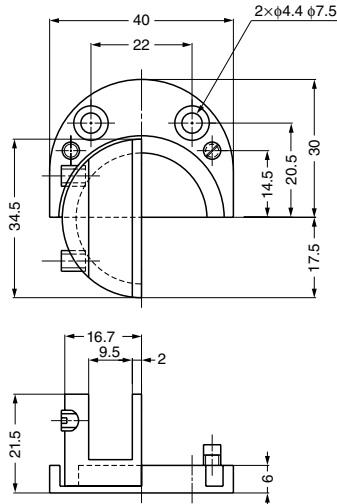


Features

Pre-drilling on glass/acrylic not required.

Remarks

Recommended for use in pairs.



Item Code	Item Name	Material	Finish	Door Width	Door Height	Glass Thickness	Door Weight	Weight	Box	Carton
170-083-506	GP-40	Brass	Satin Nickel	Max. 450	Max. 700	3, 4, 5, 6, 8	Max. 4 kg/2 pcs	76 g	35 pcs	350 pcs

INSET GLASS DOOR PIVOT HINGE

L=R

GH-PSL40



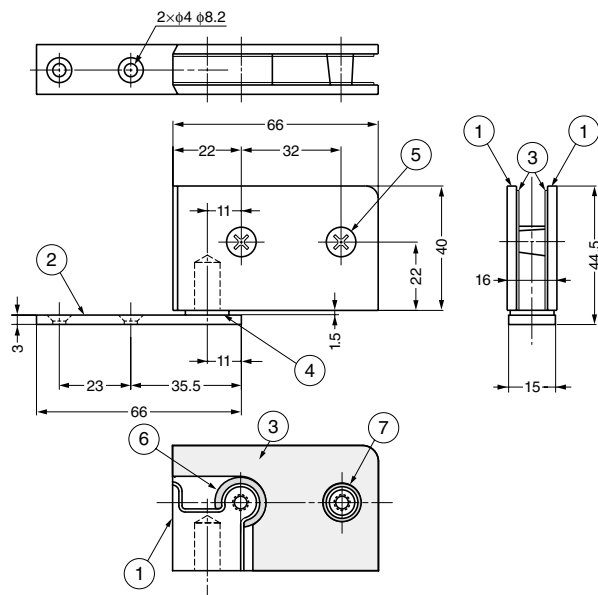
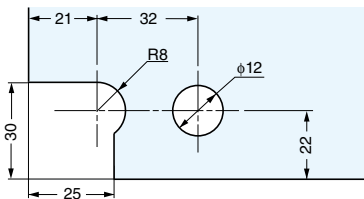
Features

Rotates 360°.

Remarks

Sold in pairs.

Cut Out Dimensions



No.	Part Name	Material	Finish/Colour
①	Body	Brass	Chrome
②	Plate	Brass	Chrome
③	Spacer	Polyvinyl Chloride Resin (PVC)	Clear
④	Washer	Polyamide (PA)	White
⑤	Screw	Brass	Chrome
⑥	Gasket	Polyvinyl Chloride Resin (PVC)	Clear
⑦	Gasket	Polyvinyl Chloride Resin (PVC)	Clear

Item Code	Item Name	Door Width	Door Height	Glass Thickness	Door Weight	Weight	Box	Carton
170-080-038	GH-PSL40	Max. 650	Max. 2000	8	Max. 20 kg/set	400 g	5 sets	40 set