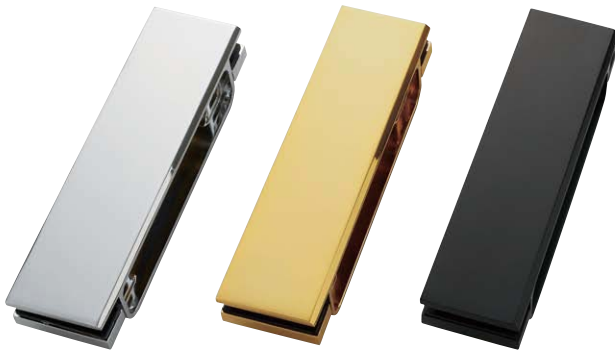


GLASS DOOR BRACKET HES3D-G120BKT

INSTRUCTION

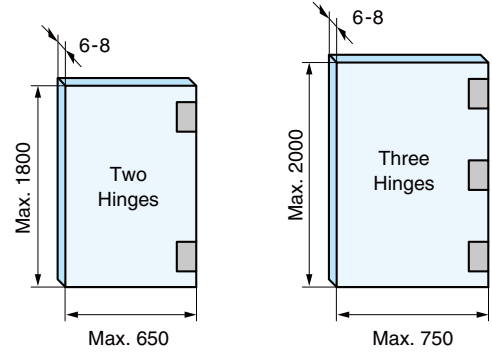


- Allows the HES3D-120 hinge 1 to be installed on glass doors.
- The silver and gold types come with screw covers in the same colours. For the black type, please use the ones included with HES3D-120BL.

[Parts Included]

- Hexagon socket countersunk head screw M5 × 12
- Countersunk head screw M4 × 12
- Hex key (size: 3)

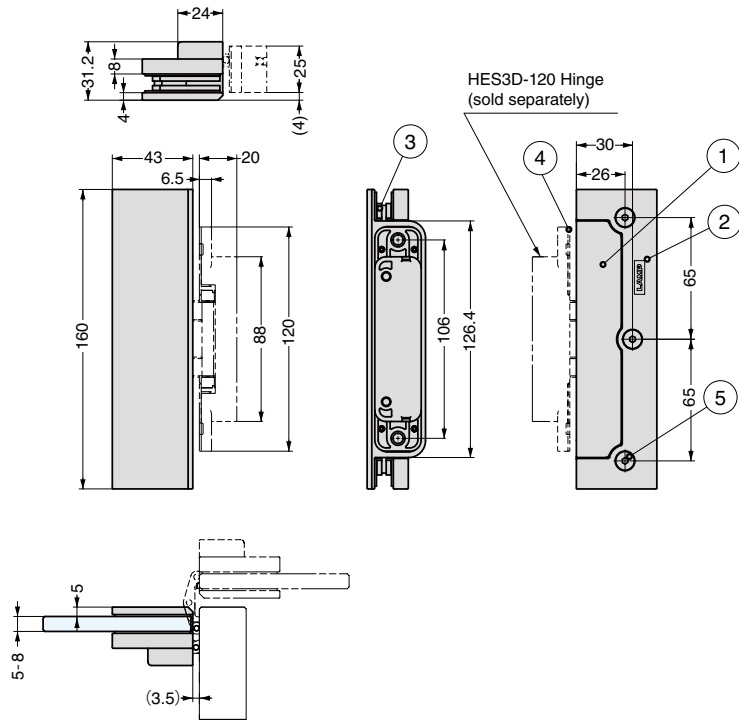
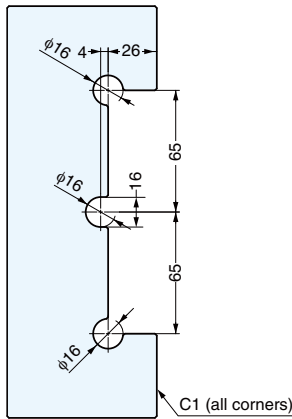
[Door Sizes and Number of Hinges]



[Component Parts]



[Cut Out Dimensions]



No.	Part Name	Material	Finish		
			CR	GP	BL
①	Body	Zinc Alloy (ZDC)	Chrome	24K Gold Plating	Black Enamel
②	Back Plate				
③	Gasket	Chloroprene Rubber (CR)	-	-	-
④	Screw Cover	ABS			
⑤	Hexagon Socket Countersunk Head Screw M5 x 14	Steel	Chrome	24K Gold Plating	Black Paint

ReHS	CAD	Item Code	Item Name	Colour	Glass Thickness	Box (pcs)	Carton (pcs)
●	●	170-043-469	HES3D-G120BKT-CR	Silver	6-8	2	12
●	●	170-043-470	HES3D-G120BKT-GP	Gold		2	12
●	●	170-043-471	HES3D-G120BKT-BL	Black		2	12

Refer to 1: No.240A P.471