

Flat suction cup (round)

<https://www.schmalz.com/10.01.01.10342>



PFG 50 NBR-AS-55 N008

Part no.: 10.01.01.10342

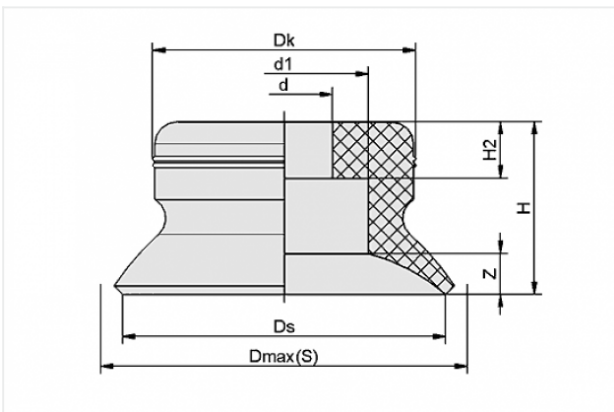
Homepage > Vacuum Technology for Automation > Vacuum Components > Vacuum Suction Cups > Flat Suction Cups (Round) > PFG 50 NBR-AS-55 N008

Flat suction cup (round) for smooth or slightly rough surfaces



Size: 50
Suction cup material:
Nitrile rubber NBR-antistat
Material hardness: 55 °Sh

Design Data



| Attribute | Value |
|-----------|-------|
|-----------|-------|

| | |
|---|------|
| d | 8 mm |
|---|------|

| | |
|----|-------|
| d1 | 20 mm |
|----|-------|

| | |
|----|---------|
| Dk | 29.1 mm |
|----|---------|

| | |
|---------|---------|
| Dmax(S) | 53.5 mm |
|---------|---------|

| | |
|----|-------|
| Ds | 50 mm |
|----|-------|

| | |
|---|-------|
| H | 15 mm |
|---|-------|

| | |
|----|------|
| H2 | 7 mm |
|----|------|

| | |
|---|------|
| Z | 4 mm |
|---|------|

Technical Data

Contact to Schmalz

J. Schmalz GmbH | Johannes-Schmalz-Straße, 72293 Glatten, Deutschland | +49 7443 2403-102 | customercenter@schmalz.de

| Attribute | Value |
|-----------------------------|-----------------------------|
| Suction force | 91 N |
| Volume | 7.076 cm ³ |
| Curve radius (min) (convex) | 75 mm |
| Size | 50 |
| Nipple | N 008 |
| Number of folds | 0 |
| Suction cup material | Nitrile rubber NBR-antistat |
| Material hardness | 55 °Sh |
| Weight | 10.2 g |
| Product family | PFG |

Accessories



SU 50

Part no. 10.01.01.12837

Cover for suction cup

Size: 50

Clamping range: 45.0 ... 60.0 mm

Temperature resistance: 80 °C



SA-NIP N008 G1/8-AG DN240

Part no. 10.01.01.03532

Suction cup connection nipple

Nipple: N 008

Thread G1: G1/8"-M

Overall length: 22 mm

Fitting length: 5 mm

Nominal size: 2,40 mm

Material: Aluminium

Spanner size SW2: 4 mm



SA-NIP N008 G1/8-IG DN350

Part no. 10.01.01.03524

Suction cup connection nipple

Nipple: N 008

Thread G1: G1/8"-F

Overall length: 25 mm

Fitting length: 16 mm

Nominal size: 3,50 mm

Material: Aluminium

Spanner size SW2: 4 mm