

Suction cup connection nipple

SA-NIP N008 G1/8-IG DN350

<https://www.schmalz.com/10.01.01.03524>



Part no.: 10.01.01.03524

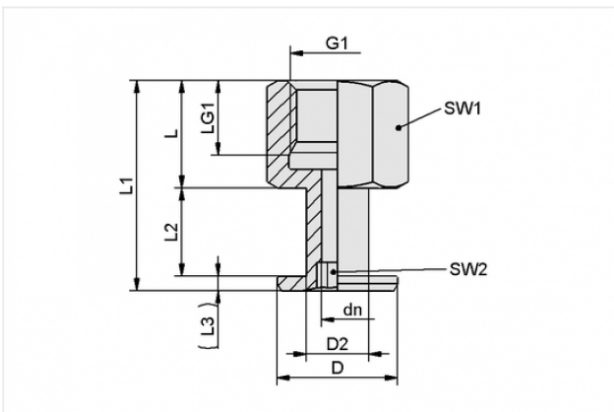
Homepage > Vacuum Technology for Automation > Vacuum Components > Vacuum Suction Cups > Flat Suction Cups (Round) > SA-NIP N008 G1/8-IG DN350

Suction cup connection nipple



Nipple: N 008
 Thread G1: G1/8-F
 Overall length: 25 mm
 Fitting length: 16 mm
 Nominal size: 3,50 mm
 Material: Aluminium
 Spanner size SW2: 4 mm

Design Data



Attribute	Value
D	14 mm
dn	3.5 mm
D2	8.5 mm
G1	G1/8"-F
L	16 mm
L1	25 mm
L2	7 mm
L3	2 mm
LG1	9 mm
SW1	14 mm
SW2	4 mm

Contact to Schmalz

J. Schmalz GmbH | Johannes-Schmalz-Straße, 72293 Glatten, Deutschland | +49 7443 2403-102 | customercenter@schmalz.de

Technical Data

Attribute	Value
Nipple	N 008
Material	Aluminium
Weight	6.7 g

Accessories



PFG 50 FPM-65 N008

Part no. 10.01.01.00077

Flat suction cup (round) for smooth or slightly rough surfaces

Size: 50

Suction cup material:

Fluorocautchuc FPM

Material hardness: 65 °Sh

Material property: imprint-free



PFG 50 HT1-60 N008

Part no. 10.01.01.11168

Flat suction cup (round) for smooth or slightly rough surfaces

Size: 50

Suction cup material:

High temp material HT1

Material hardness: 60 °Sh

Material property: imprint-free



PFG 50 NBR-55 N008

Part no. 10.01.01.00017

Flat suction cup (round) for smooth or slightly rough surfaces

Size: 50

Suction cup material:

Nitrile rubber NBR

Material hardness: 55 °Sh



PFG 50 NBR-AS-55 N008

Part no. 10.01.01.10342

Flat suction cup (round) for smooth or slightly rough surfaces

Size: 50

Suction cup material:

Nitrile rubber NBR-antistat

Material hardness: 55 °Sh



PFG 50 PU-55 N008

Part no. 10.01.01.00057

Flat suction cup (round) for smooth or slightly rough surfaces

Size: 50

Suction cup material: Polyurethane PU

Material hardness: 55 °Sh



PFG 50 SI-55 N008

Part no. 10.01.01.00037

Flat suction cup (round) for smooth or slightly rough surfaces

Size: 50

Suction cup material: Silicone SI

Material hardness: 55 °Sh

Material characteristics:

FDA-compatible