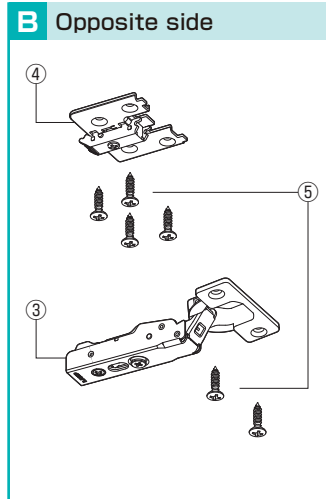
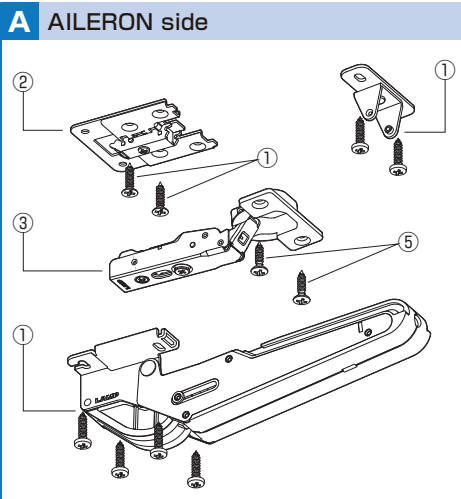
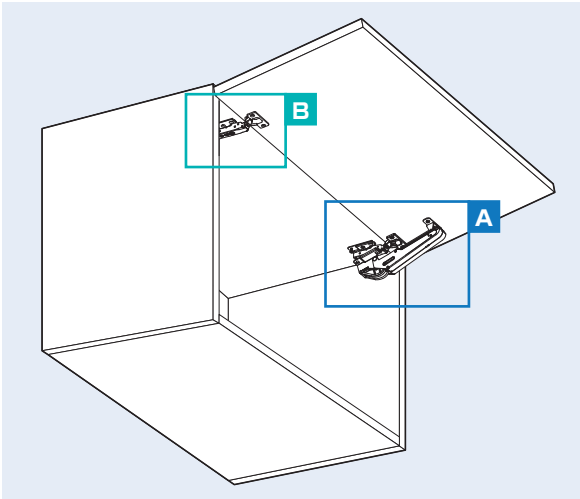


Components for a single door



Necessary parts per door (A + B)

[Notes]

The required quantity depends on door width and moment.

*This is the required quantity when using with the 360-P6WT.
The required number of screws is reduced by one for each unit of 360-P4W-32T or 360-P4W-30T that is used.

		Item Code		Item Name		Door Width [mm]											
						450 ~ 900				900 ~ 1600				1600 ~ 2000			
						Door Moment [N · m]											
		4.0	6.0	8.0	12.0	4.0	6.0	8.0	12.0	4.0	6.0	8.0	12.0				
		6.0	8.0	12.0	16.0	6.0	8.0	12.0	16.0	6.0	8.0	12.0	16.0				
AILERON	① Stay	180-043-947/ 180-043-945	ARN-3-M/ ARN-2-M	1	-	2	-	1	-	2	-	1	-	2	-		
		180-043-948/ 180-043-946	ARN-3-H/ ARN-2-H	-	1	-	2	-	1	-	2	-	1	-	2		
	② Plate	180-043-949	ARN-SZ	1	2	1	2	1	2	1	2	1	2				
OLYMPIA	③ Hinge	160-026-840/ 160-029-084	360-D26-19T/ H360-D26-26T (Built-in damper)	2	3	2	3	2	3	2	3	2	3				
		160-026-836/ 160-029-081	360-26-19T/ H360-26-26T (Without catch)		-	1	-	1	-	2	-						
		160-026-832/ 160-029-078	360-C26-19T/ H360-C26-26T (With catch)		-		-		-		-		1				
④ Plate	160-026-846	360-P6WT (System 32 · 4 holes)															
	160-026-845	360-P4W-32T (System 32 · 3 holes)		1		2		1		3		2					
	160-026-844	360-P4W-30T (System 30 · 3 holes)															
⑤ Screw	160-070-030	TAP3515NI	8*	10*	14*	10*	20*	16*									