

AILERON STAY FOR OLYMPIA ARN-3 Upward Opening Model

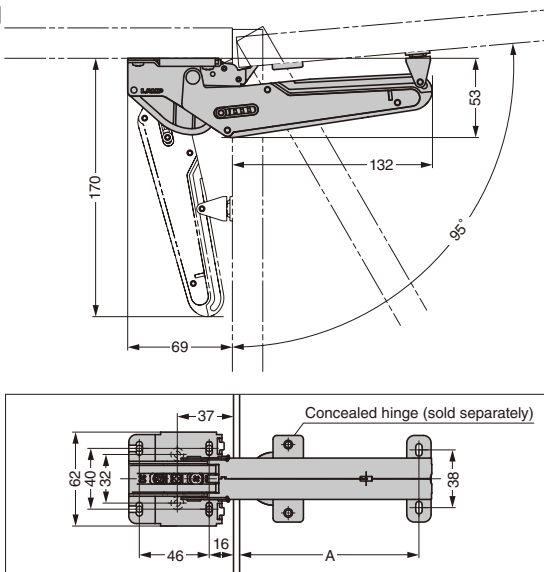
L=R INSTRUCTION



[Door Movements]

Lift-assist	Soft-close	Free-stop
Allows for light opening of doors	OLYMPIA's damper makes doors close slowly. (0° - 30°)	Enables doors to hold in position.
Light opening	Gently closing	Holds in position

[Installation]



Please see pages of Olympia hinges for installation dimensions.

Hinge Used	A
360-D26-19T	118
H360-D26-26T	116

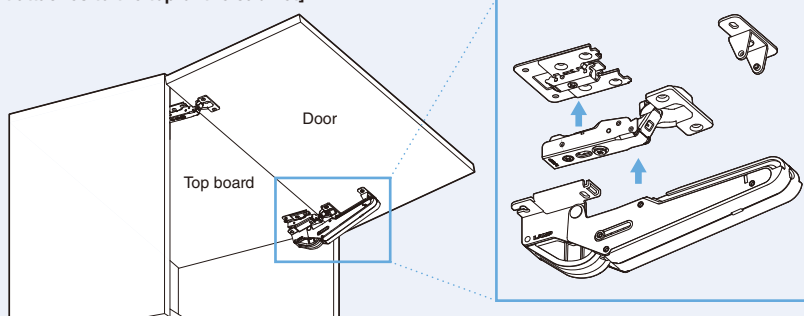
[Aileron Stay] Sold singly

RohS	CAD	Item Code	Item Name	Material	Finish / Colour	Type	Max. Door Moment N · m/pc	Max. Door Moment kgf · cm/pc	Box (pc)	Carton (pc)
		180-043-947	ARN-3-M	Steel (SPCC) / POM	Nickel plating / Grey	M	4.0~6.0	40.8~61.2	1	20
		180-043-948	ARN-3-H			H	6.0~8.0	61.2~81.6	1	20

[Standard Set] Including parts sold separately

RohS	CAD	Item Code	Item Name	Door Width	Max. Door Moment N · m	Max. Door Moment kgf · cm	Set Contents	Box (pc)	Carton (pc)
		180-045-659	ARN-3-M-S	450~900	4.0~6.0	40.8~61.2	Aileron stay, Mounting plate for Aileron stay, Olympia hinge, Mounting plate for Olympia hinge, Screws	1	10
		180-045-660	ARN-3-H-S		6.0~8.0	61.2~81.6		1	10

[Combined unit attaches to the top of the cabinet]



Simple installation only requires AILERON to be placed on OLYMPIA with a mounting plate designed for AILERON

Opening	Description	Non-handed	Type	Maximum Door Moment
	Lift-assist Soft-close Free-stop	Yes	M	4.0~6.0 N · m/pc (40.8~61.2 kgf · cm/pc)
			H	6.0~8.0 N · m/pc (61.2~81.6 kgf · cm/pc)

- Smooth door movement. It is specially designed for use with the OLYMPIA concealed hinge (360-D26-19 / H360-D26-26T).
- The lift-assist function allows for light opening of doors.
- The force of lift-assist is adjustable.
- The soft-close function makes doors close gently (0°~30° degrees).
- Integrated design combines a concealed hinge and lid stay.
- The free-stop function enables doors to hold in position.
- Closing speed of doors is adjustable.

[Specifications]

- Operating temperature: 0°C - 40°C

[Parts Included]

- Door-side mounting plate
- Countersunk head tapping screw 3.5 x 1.5 (for attaching the mounting plate to AILERON)
- Binding head tapping screw 3.5 x 1.5 (for attaching the door-side mounting plate, mounting plate for AILERON, and AILERON)

[Sold Separately]

- Mounting plate for AILERON
- OLYMPIA concealed hinge
- Mounting plate for OLYMPIA
- Screw for OLYMPIA

[Video Link](#)



[Application Example]

