

## AILERON STAY FOR OLYMPIA ARN-2 Top-opening Model

L=R INSTRUCTION



Lift-assist

Soft-close

Free-stop

Passed 40,000 open/close  
private cycle test

Opening	Description	Non-handed	Type	Maximum Door Moment
Top-opening	Lift-assist Soft-close Free-stop	Yes	M	4.0–6.0 N·m/pc (40.8–61.2 kgf·cm/pc)
			H	6.0–8.0 N·m/pc (61.2–81.6 kgf·cm/pc)

- Smooth door movement. It is specially designed for use with the OLYMPIA concealed hinge (360-D26-19 / H360-D26-26T).
- The lift-assist function allows for light opening of doors.
- The force of lift-assist is adjustable.
- The soft-close function makes doors close gently (0°–30° degrees).
- Integrated design combines a concealed hinge and lid stay.
- The free-stop function enables doors to hold in position.
- Closing speed of doors is adjustable.

## [Specifications]

- Operating temperature: 0°C – 40°C

## [Parts Included]

- Door-side mounting plate
- Countersunk head tapping screw 3.5 × 1.5  
(for attaching the mounting plate to AILERON)
- Binding head tapping screw 3.5 × 1.5  
(for attaching the door-side mounting plate, mounting plate for AILERON, and AILERON)

## [Sold Separately]

- Mounting plate for AILERON
- OLYMPIA concealed hinge
- Mounting plate for OLYMPIA
- Screw for OLYMPIA

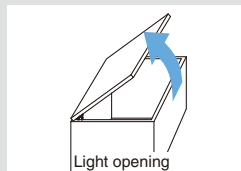
Video Link



## [Door Movements]

## Lift-assist

Allows for light opening of doors



Light opening

## Soft-close

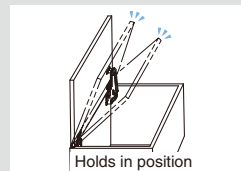
OLYMPIA's damper makes doors close slowly. (0° - 30°)



Gently closing

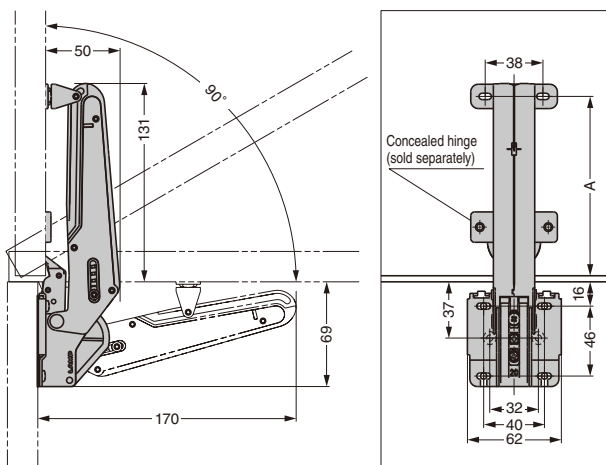
## Free-stop

Enables doors to hold in position.



Holds in position

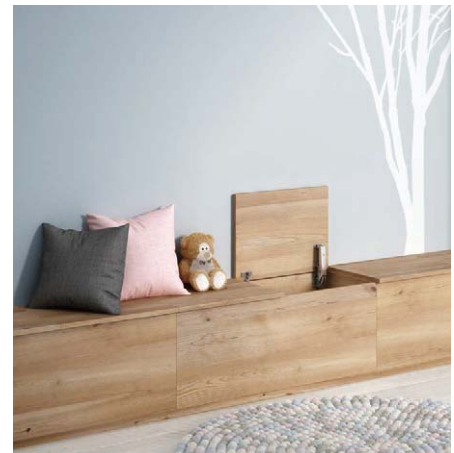
## [Installation]



Hinge Used	A
360-D26-19T	118
H360-D26-26T	116

Please see pages of Olympia hinges for installation dimensions.

## [Application Example]



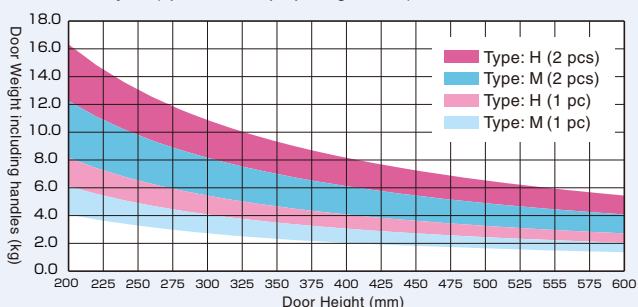
## [Aileron Stay] Sold singly

RtHS	CAD	Item Code	Item Name	Material	Finish / Colour	Type	Max. Door Moment N·m/pc	Max. Door Moment kgf·cm/pc	Box (pc)	Carton (pc)
GT	ECO	180-043-945	ARN-2-M	Steel (SPCC) / POM	Nickel plating / Grey	M	4.0~6.0	40.8~61.2	1	20
GT	ECO	180-043-946	ARN-2-H			H	6.0~8.0	61.2~81.6	1	20

## [Standard Set] Including parts sold separately

RtHS	CAD	Item Code	Item Name	Door Width	Max. Door Moment N·m	Max. Door Moment kgf·cm	Set Contents	Box (pc)	Carton (pc)
GT	ECO	180-045-661	ARN-2-M-S	450~900	4.0~6.0	40.8~61.2	Aileron stay, Mounting plate for Aileron stay, Olympia hinge, Mounting plate for Olympia hinge, Screws	1	10
GT	ECO	180-045-662	ARN-2-H-S		6.0~8.0	61.2~81.6			

## [Selection Graph] (upward and top-opening models)



Maximum Door Moment	Type	Number of AILERON
4.0–6.0	M	1 pc
6.0–8.0	H	
8.0–12.0	M	2 pcs
12.0–16.0	H	

As a guide for model selection, please refer to the graph on the left.  
For use with doors outside of the scope of this graph, use the calculation below.  
(The door weight includes attached decorations such as handles.)

- The selection should be based on Max. door moment. (Two types are available.)
- Maximum Door Moment (N·m) =  
Door weight (kg) × 9.80665 × Distance from rotation centre to door centre of gravity (m)