

POCKET DOOR SYSTEM (INSET)

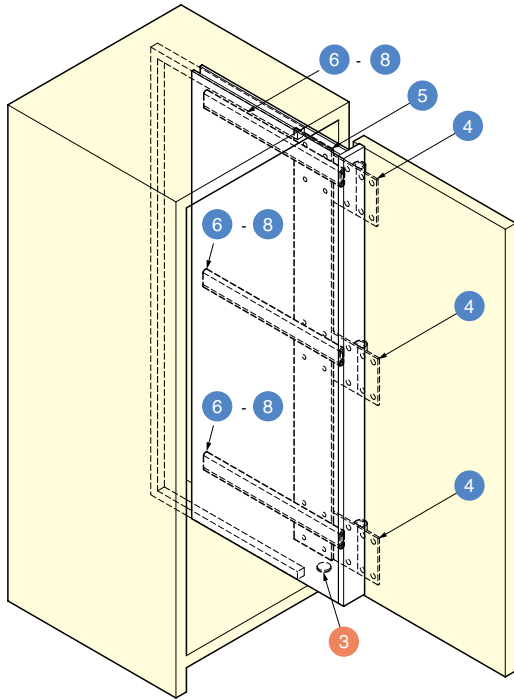
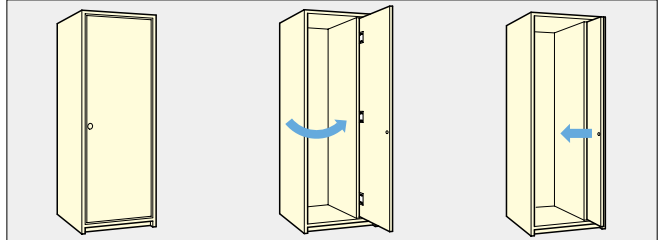


TSSL-2V

Door Width	Max. 800 mm
Door Height	1760 - 2300 mm
Door Weight	Max. 20 kg/Door

Features

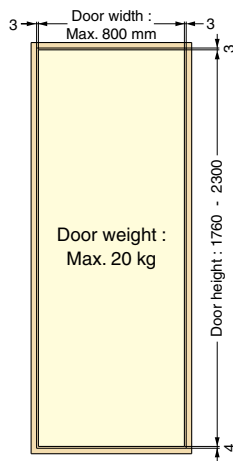
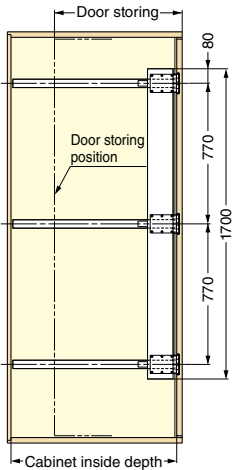
- Opening door is stored inside the cabinet.
- One touch door installation & removal.



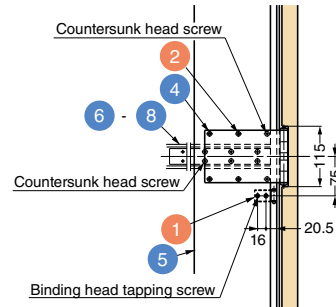
WARDROBE & CABINET DOOR HARDWARE

POCKET DOOR SYSTEM (INSET)

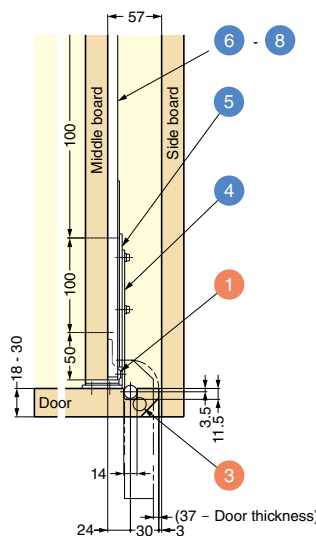
Installation



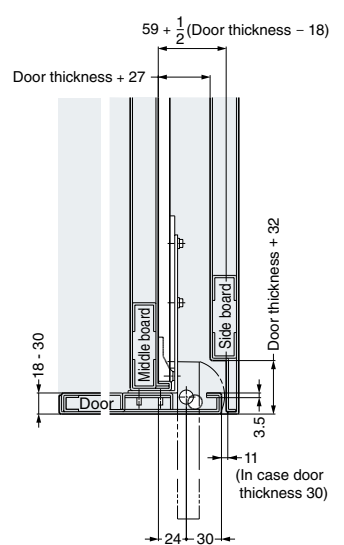
Side view (Wooden door)



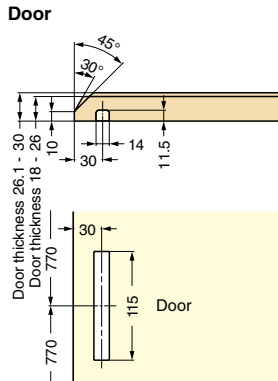
Top view (Wooden door)



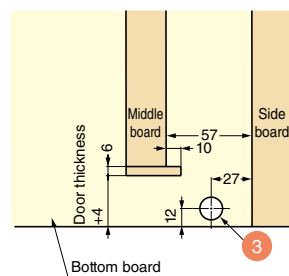
Top view (Steel door)



Cut Out Dimensions




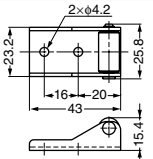

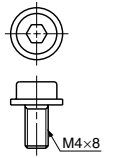

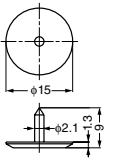
Cabinet



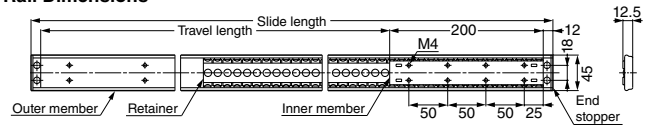
• Necessary Parts **Parts Set** + **Hinge** + **Connecting Plate** + **Rails**

Parts Set (Per Door)		Necessary Parts	
Type	Item Code	Item Name	
a) 600 mm Rails	180-110-575	TSSL-2VD600	
b) 800 mm Rails	180-110-576	TSSL-2VD800	
c) 900 mm Rails	180-110-577	TSSL-2VD900	

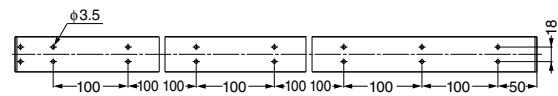
Rail		Necessary Parts			
		3 pcs are necessary for 1 door.			
No.	Type	Qty	Item Code	Part Name	Description
6	Slide Length 600 mm	1 pc	190-110-570	Rail	 <ul style="list-style-type: none"> * Material SUS304
			TSSL-600SV		
7	Slide Length 800 mm	1 pc	190-110-571	Rail	
			TSSL-800SV		
8	Slide Length 900 mm	1 pc	190-110-572	Rail	
			TSSL-900SV		

No.	Qty			Part Name	Dimensions	Description
	a	b	c			
1	3 pcs	3 pcs	3 pcs	 Door Stopper	 <ul style="list-style-type: none"> * Material Steel * Finish Clear Zinc Chromate 	
2	12 pcs	12 pcs	12 pcs	 Bolt	 <ul style="list-style-type: none"> * Material Steel * Finish Yellow Zinc Chromate 	
3	1 pc	1 pc	1 pc	 Slider	 Item Code : 210-030-122 Item Name : F-15 <ul style="list-style-type: none"> * Material POM * Finish Natural 	

Rail Dimensions



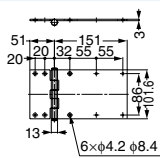
<Bore Pitch>

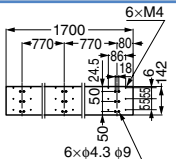


Parts Included

Binding head tapping screw 3.5x15..... a) 36 pcs, b) 48 pcs, c) 54 pcs
 Countersunk head screw..... 24 pcs

Item Name	Slide Length	Travel Length	Bore Qty N	Door Storage	Depth Inside Cabinet
TSSL-600SV	600	376	12	402.5+Door thickness	Min. 620
TSSL-800SV	800	576	16	602.5+Door thickness	Min. 820
TSSL-900SV	900	676	18	702.5+Door thickness	Min. 920

Hinge		Necessary Parts			
		3 pcs are necessary for 1 door.			
No.	Qty	Item Code	Part Name	Dimensions	Description
4	1 pc	180-110-562	Hinge		<ul style="list-style-type: none"> * Material Steel * Finish White
		TSSL-2VH			

Connecting Plate		Necessary Parts			
		1 pc is necessary for 1 door.			
No.	Qty	Item Code	Part Name	Dimensions	Description
5	1 pc	180-110-563	Connecting Plate		<ul style="list-style-type: none"> * Material Steel * Finish Yellow Zinc Chromate
		TSSL-2VP			

WARDROBE & CABINET DOOR HARDWARE

POCKET DOOR SYSTEM (INSET)