

# OVER TRAVEL SLIDING DOOR SYSTEM

OX

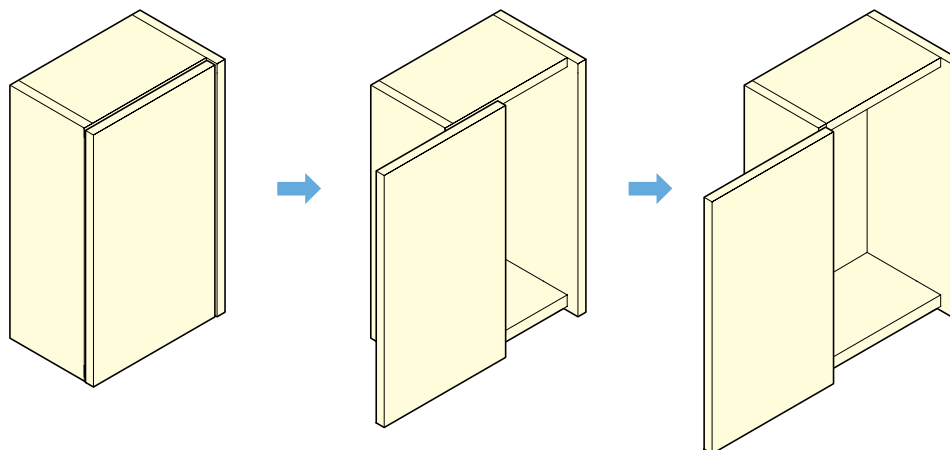
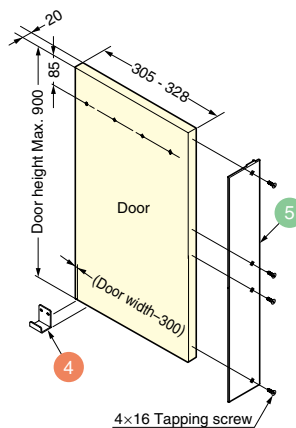
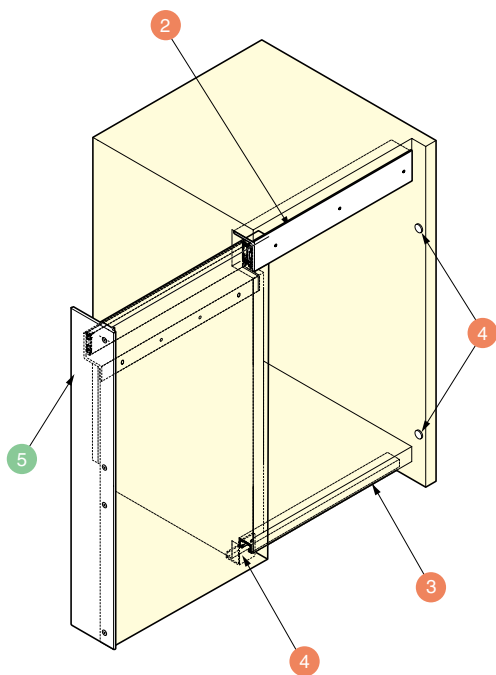
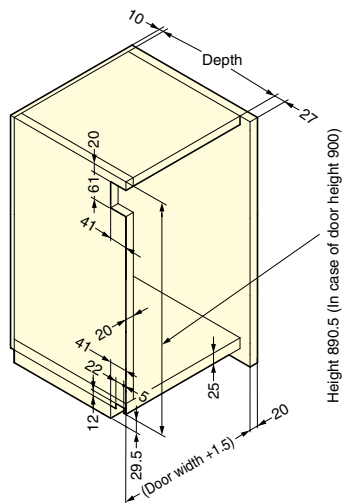


Door Width	305 - 328 mm
Door Height	Max. 900 mm
Door Thickness	20 mm
Door Weight	Max. 5 kg/Door

### Features

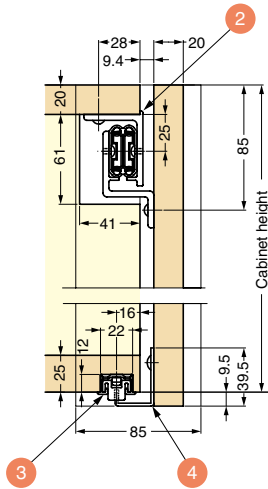
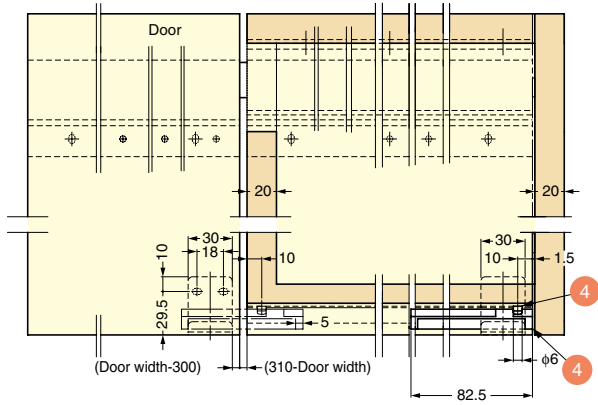
- Over travel rail allows full access to cabinet inside.
- Suitable for limited space.

WARDROBE & CABINET DOOR HARDWARE



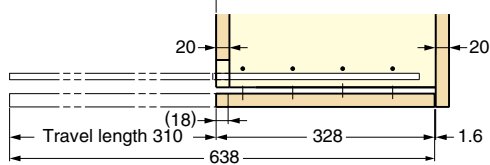
OVER TRAVEL SLIDING DOOR SYSTEM

Installation

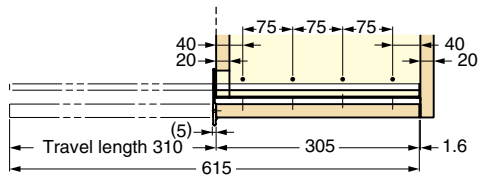


Door width 328 mm

Mounting reference surface



Door width 305 mm



Parts Set (Per Door) Necessary Parts

Set Name	Item Code	Item Name
a) Parts Set for Right Open	250-121-436	OX-300R
b) Parts Set for Left Open	250-121-435	OX-300L

Items

No.	Qty	Part Name	Dimensions	Description
1	1 pc	Upper Rail (Right Open)		Item Code : 250-121-434 Item Name : OX-U300R • Material Aluminium Alloy/Steel • Finish Anodized Silver /Yellow Zinc Chromate
2	1 pc	Upper Rail (Left Open)		Item Code : 250-121-433 Item Name : OX-U300L • Material Aluminium Alloy/Steel • Finish Anodized Silver /Yellow Zinc Chromate
3	1 pc	Bottom Rail (305 mm)		Item Code : 250-121-431 Item Name : OX-L300 • Material Aluminium Alloy • Finish Anodized Silver
4	1 set	Parts Set	 Bottom guide Slider Bumper Stopper	Item Code : 250-121-432 Item Name : OX-P • Parts Included: Bottom guide, Slider, Stopper, Bumper, Screw • Truss Head Tapping Screw 4x18.....4 pcs • Truss Head Tapping Screw 4x16.....6 pcs • Countersunk Head Tapping Screw 3x12.....2 pcs • Round Head Wood Screw 3.5x16.....2 pcs • Countersunk Head Tapping Screw 4x16.....5 pcs

Optional Parts

No.	Item Code	Part Name	Dimensions	Description
5	250-121-430	Cover		• Material Aluminium Alloy • Finish Anodized Silver • Length 900 mm

WARDROBE & CABINET DOOR HARDWARE

OVER TRAVEL SLIDING DOOR SYSTEM