

CENTRAL LOCKING SYSTEM FOR FURNITURE 3310 Lock Series



ALF1600

**Features**

- Locks all drawers on one side simultaneously.
- 100 key changes available.
- Cylinder lock needs to be installed on the front panel of the top drawer.
- 4 or more lock parts are sold separately.
- The depth of the shelf can be adjusted according to the position of the lock pin.
- Right-handed / left-handed bar is available.
- Body can be made black chromate finish as special order.
- The cylinder of ALF1800 (P.330) can be applied to this system for 1 million key changes at maximum.

Parts Included

Countersunk head wood screw 2.7 × 16

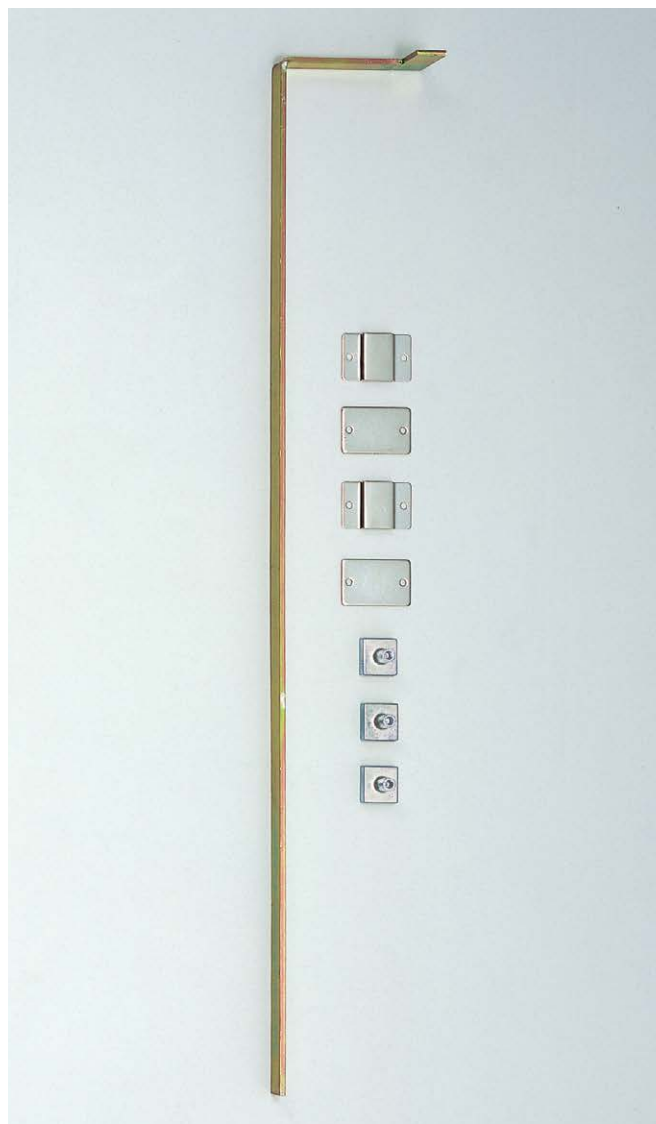
Pan head wood screw 2.7 × 13

Sold Separately

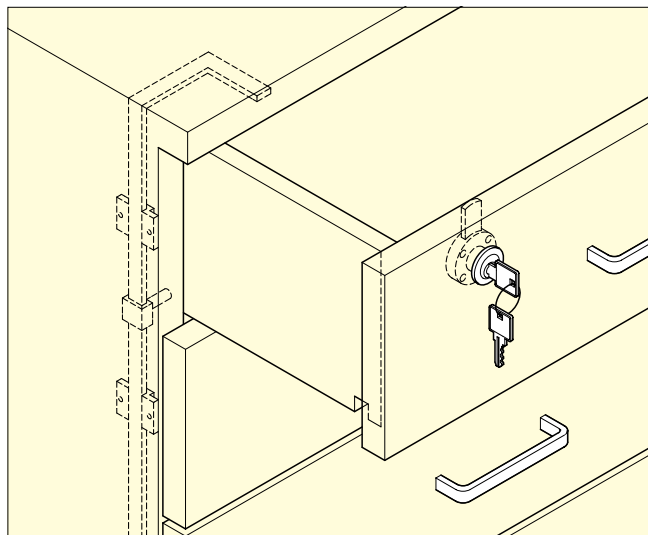
- Parts set ALFR, ALFL
- Separate parts ALS-LP, ALS-G, ALS-GP

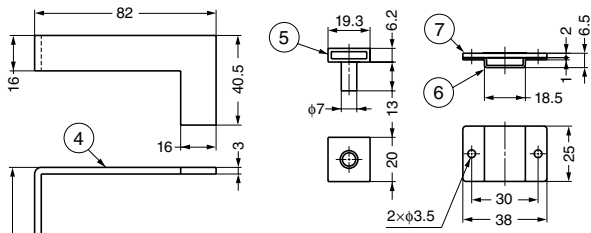
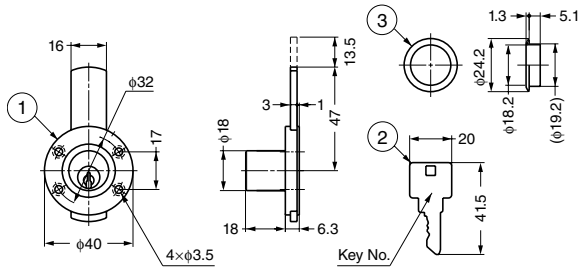
Optional Parts

- Locking peg ALS-KP
- Bar ALFBAR1000



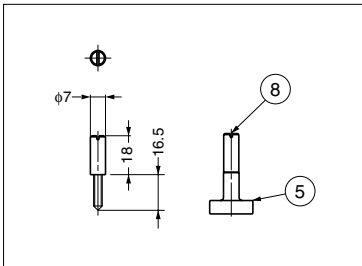
Parts set ALS-LP, ALS-G, ALS-GP (sold separately)



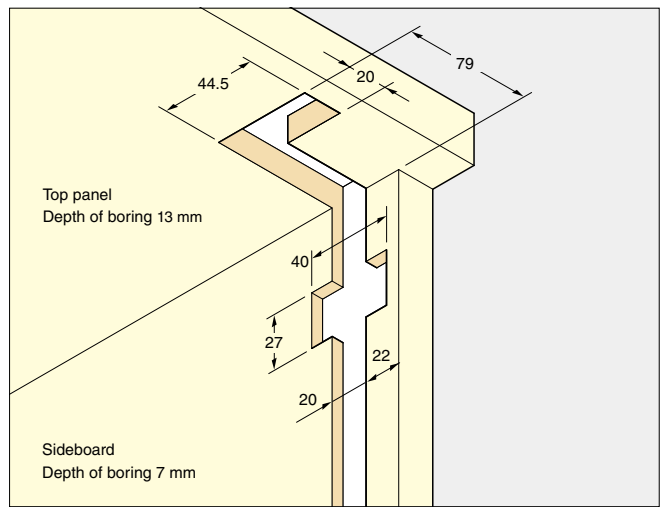
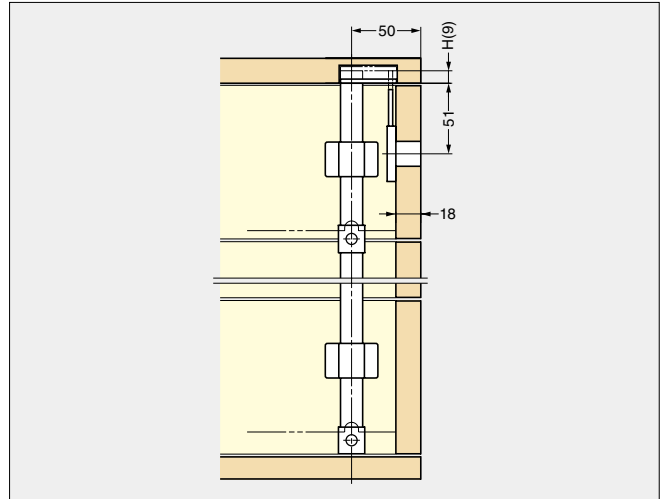


Left-handed is shown.

*The table at the right bottom: L=1000



Use Locking Peg inserted into ⑤ for the application with drawer slides.



No.	Part Name	Material	Finish
①	Body	Zinc Alloy (ZDC)	Satin Nickel
②	Key	Brass	Nickel
③	Ring	Brass	Satin Nickel
④	Guide Bar (Sold Separately)	Steel	Yellow Zinc Chromate
⑤	Lock Pin (Sold Separately)	Zinc Alloy (ZDC)	Yellow Zinc Chromate
⑥	Guide (Sold Separately)	Steel	Nickel
⑦	Guide Plate (Sold Separately)	Steel	Nickel
⑧	Locking Peg (Option)	Steel	Nickel

Cylinder Lock (① - ③)

Item Code	Item Name	Key Type	Cylinder Diameter	Stroke of Bar	Door Thickness	Weight	Carton
150-061-251	ALF1600-B	Key Different	φ18	13.5	18	84 g	50 pcs
150-001-034	ALF1600-D	Key Alike	φ18	13.5	18	84 g	50 pcs

Parts Set (④ - ⑦) (Sold Separately)

Item Code	Item Name	Left/Right	Weight	Carton
150-060-520	ALFR	Right	328 g	50 sets
150-060-521	ALFL	Left	328 g	50 sets

Locking Peg for All-Lock (⑧) (Optional Parts)

Item Code	Item Name	Weight	Box	Carton
150-060-117	ALS-KP	6.5 g	400 pcs	2,000 pcs

For the drawers over 4.

Parts (⑤ - ⑦) (Optional Parts)

Item Code	Item Name	Part Name	No.	Weight
150-060-134	ALS-LP	Lock Pin for Auto-Lock	⑤	11.5 g
150-945-903	ALS-G	Guide for Auto-Lock	⑥	8 g
150-945-902	ALS-GP	Guide Plate for Auto-Lock	⑦	14.5 g

Guide Bar (④L=1000) (Optional Parts)

Item Code	Item Name	Left/Right	Weight	Box	Carton
150-028-521	ALFBAR1000R	Right	407 g	10 pcs	50 pcs
150-028-522	ALFBAR1000L	Left	407 g	10 pcs	50 pcs