

GLASS DOOR CAM LOCK



1330GL-MK

LOCKS FOR GLASS DOORS

GLASS DOOR CAM LOCK



Features

- Interchangeable cylinder lock with Master Key system.
- Allows key management and cylinder replacement is easy in case key is lost.
- Key and cam rotate clockwise when locked. Key can be removed when locked and unlocked.
- 7,800 key changes available. (Max. 750/Master Key)
- Simple design for cylinder ring and hidden cam when locked.
- Keys can be shared with 1830-MK (P.328) and 6830-30MK (P.312).

Remarks

Cylinder can be changed by using Change Key MD-K1

Parts Included

Countersunk head wood screw 2.7 × 13 (SUS)

Sold Separately

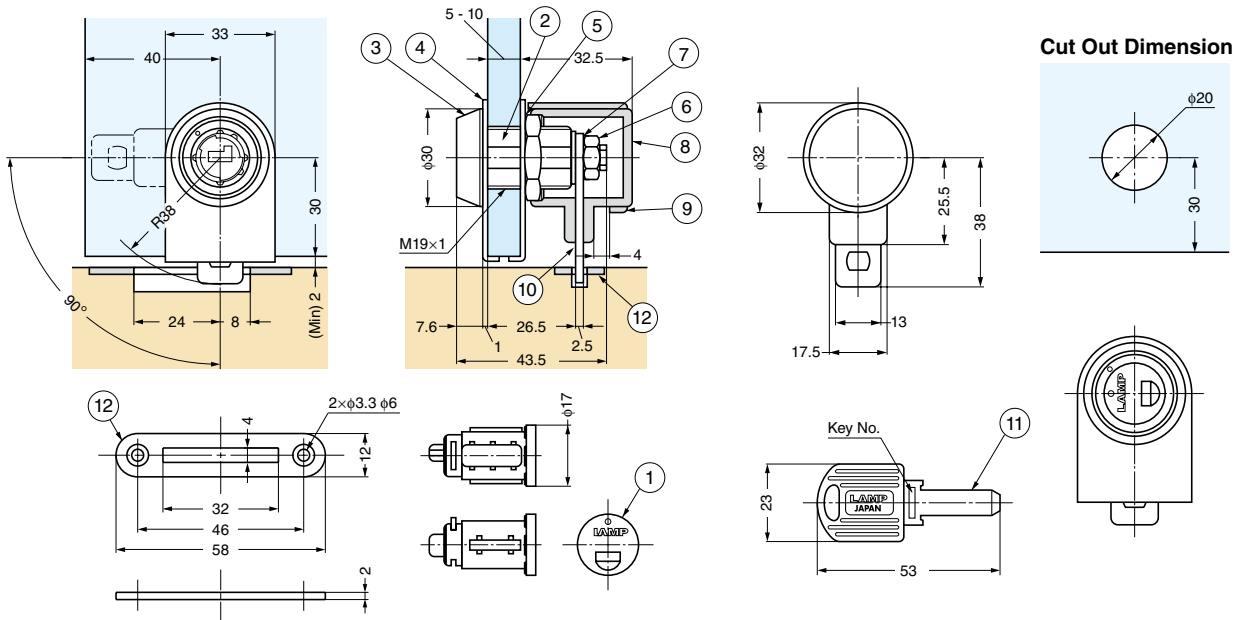
Cylinder MD-N1 (P.311)

Optional Parts

Master Key MD-MK1 (P.311)

Change Key MD-K1 (P.311)

*Cylinder and key are sold separately.



No.	Part Name	Material	Finish/Colour
①	Cylinder (Sold Separately)	Stainless Steel (SUS304)/Zinc Alloy (ZDC)	Polished, Yellow Zinc Chromate
②	Housing	Zinc Alloy (ZDC)	GA: Gold, Paint/Clear, DN: Satin Nickel
③	Ring	Brass	GA: Gold, Paint/Clear, DN: Satin Nickel
④	Front Plate	Stainless Steel (SUS304)	GA: Gold, Paint/Clear, DN: Plain
⑤	Large Hex Nut	Steel	Yellow Zinc Chromate
⑥	Small Hex Nut	Steel	Yellow Zinc Chromate
⑦	Washer	Steel	Clear Zinc Chromate
⑧	Cover	Polypropylene (PP)	Black
⑨	Ring	Polypropylene (PP)	Black
⑩	Cam	Stainless Steel (SUS304)	Polished
⑪	Key (Sold Separately)	Brass/ABS	Nickel/Black
⑫	Strike	Stainless Steel (SUS304)	Polished

*Cylinder ① and Key ⑪ are sold separately.

Item Code	Item Name	Finish	Glass Thickness	Weight	Box	Carton
150-066-004	1330GL-MKGA	Gold, Paint/Clear	5 - 10	130 g	12 pcs	60 pcs
150-066-003	1330GL-MKDN	Satin Nickel	5 - 10	130 g	12 pcs	60 pcs

