

GLASS SLIDING DOOR LATCH



XL-MT120-H



Features

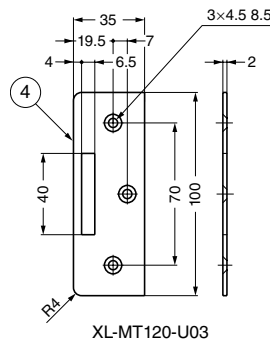
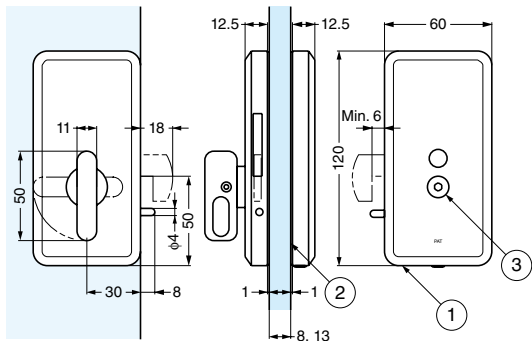
- Lock with indicator for glass sliding door.
- Can be unlocked by turning emergency release pin with supplied allen key. (Hex size 4 mm)

Remarks

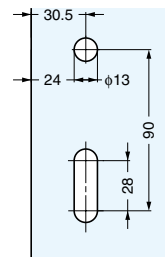
- Made to order.
- Not recommended for applications with direct water exposure.

Parts Included

Counter plate XL-MT120-U03



Cut Out Dimensions



No.	Part Name	Material	Finish/Colour
①	Body	Stainless Steel (SUS304)	Satin
②	Gasket	Polypropylene (PP)	Natural
③	Emergency Release Pin	Brass	Chrome
④	Counter Plate	Stainless Steel (SUS304)	Satin

Item Code	Item Name	Type	Door Thickness	Weight	Box	Carton
140-060-628	XL-MT120-H01	Right	8, 13	567 g	1 pc	12 pcs
140-060-627	XL-MT120-H02	Left	8, 13	567 g	1 pc	12 pcs

*Door thickness: 8 mm for glass, 13 mm for melamine board

COUNTER PLATE



XL-MT120-U



Features

- For XL-MT120-H.
- Designed for double sliding door.

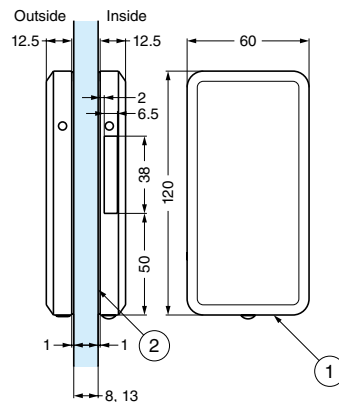
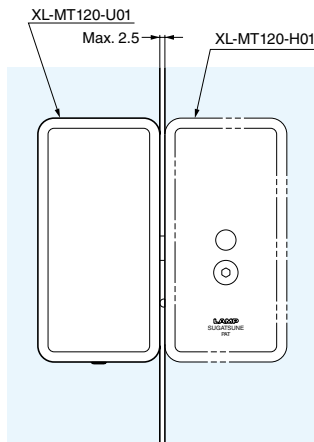
Remarks

- Made to order.
- Not recommended for application with direct water exposure.

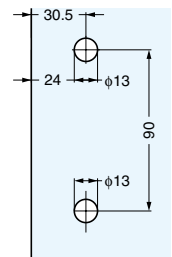
Application Example



Right-handed is shown.



Cut Out Dimensions



No.	Part Name	Material	Finish/Colour
①	Body	Stainless Steel (SUS304)	Satin
②	Gasket	Polypropylene (PP)	Natural

Item Code	Item Name	Type	Door Thickness	Weight	Box	Carton
140-060-626	XL-MT120-U01	Right	8, 13	415 g	1 pc	24 pcs
140-060-625	XL-MT120-U02	Left	8, 13	415 g	1 pc	24 pcs

*Door thickness: 8 mm for glass, 13 mm for melamine board

