



HC-3051

SLIDING DOOR LATCH



Latch Body & Strike



Base



Privacy (PRV) Indicator (IND) Cylinder Lock (CLD) Double sided slide (DSL)

The opposite side of every model has a slide handle as shown for the "DSL" type (above).

No.	Part Name	Material	Finish
①	Base	Zinc Alloy	Nickel
②	Knob	Zinc Alloy	Nickel
③	Latch Body	Steel (SECC)	Plain
④	Spindle	Steel (SWCH)	Chromate
⑤	Trigger	Stainless Steel (SUS304)	Polished
⑥	Bolt	Stainless Steel (SUS304)	Polished
⑦	Front Plate (Latch)	Stainless Steel (SUS304)	Satin
⑧	Strike	Steel (SECC)	Plain
⑨	Front Plate (Strike)	Stainless Steel (SUS304)	Satin

Item Code	Item Name	Type	Weight	Box	Carton
140-032-752	HC-3051-PRV-NI	Privacy	531 g	1 pc	20 pcs
140-032-753	HC-3051-IND-NI	Indicator	535 g	1 pc	20 pcs
140-032-754	HC-3051-CLD-NI	Cylinder Lock	557 g	1 pc	20 pcs
140-032-755	HC-3051-DSL-NI	Double Sided Slide	511 g	1 pc	20 pcs

Features

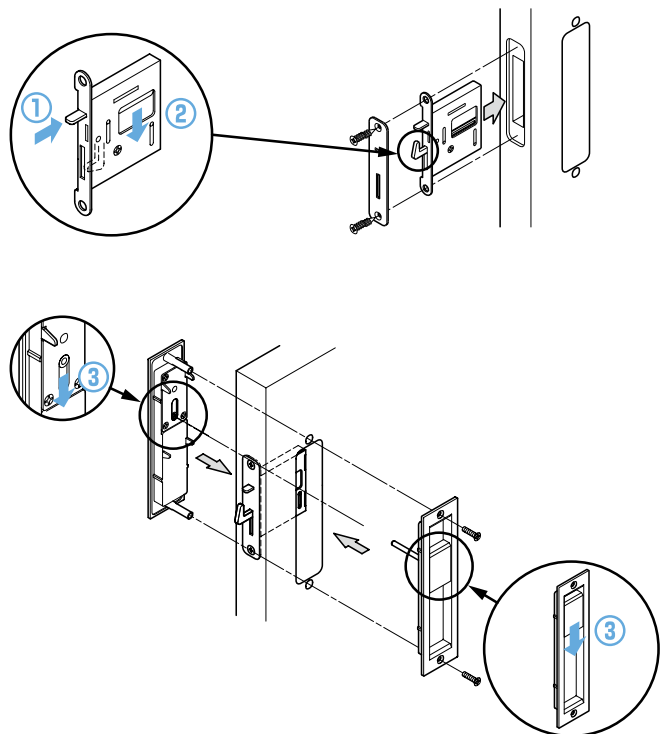
- Recessed latch handle for wooden sliding doors.
- 4 bases available.
- Possible to install the backset at any position between 30 mm and 51 mm from the door edge.
- Ideal for narrow lock stile door.
- Applicable door thickness: 35 - 45 mm. 3 different lengths of spindles and 2 different lengths of screws are included.
- Non-handed.

Application

For residential interior sliding door.

Remarks

- Before inserting the base to the door, make sure to do the 3 steps below. Otherwise, the latch will not work properly.
- The latch can work only when door closed completely.

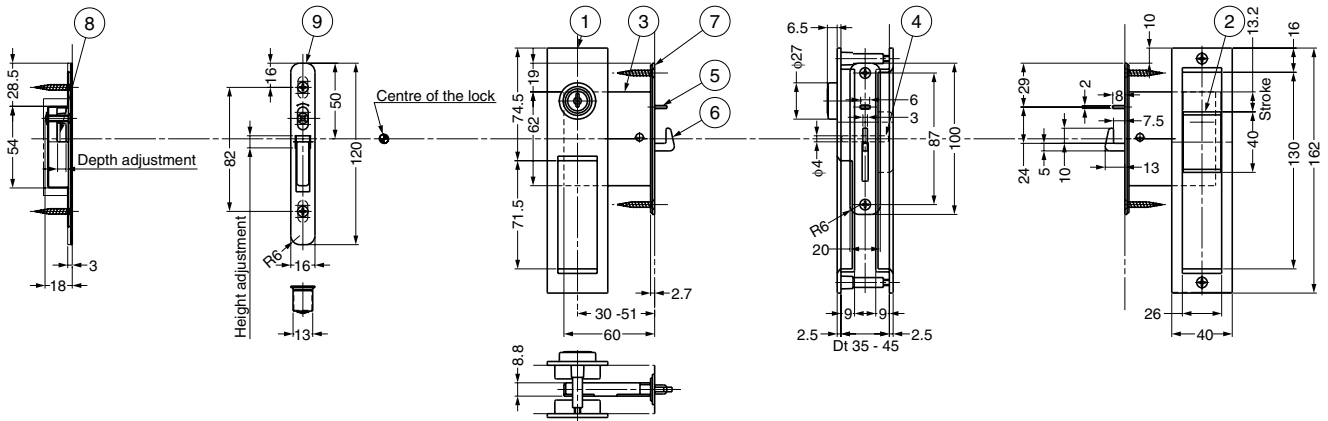


Parts Included

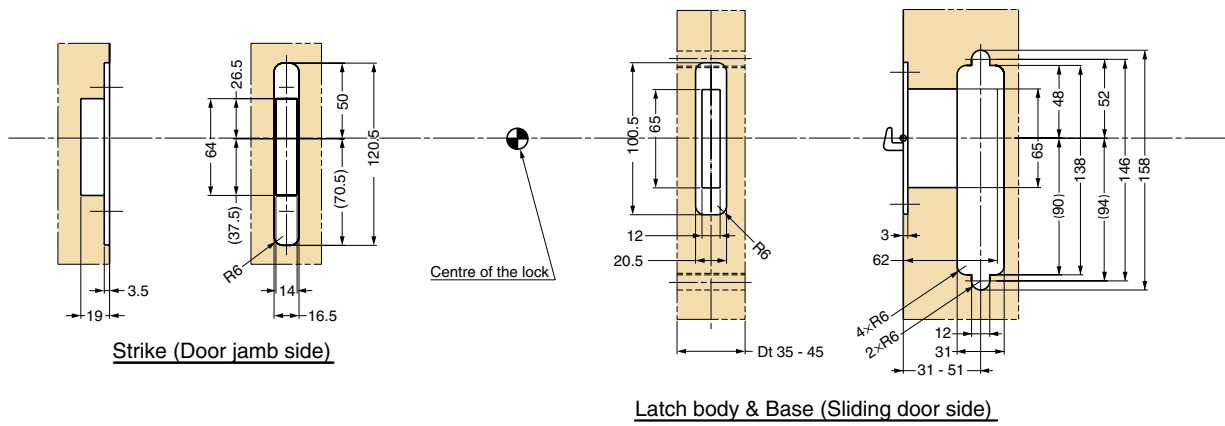
- Spindles $\phi 4 \times 35$, $\phi 4 \times 39$, $\phi 4 \times 43$ (SWCH)
- Countersunk head tapping screw 3.5 x 25 (SUS) for strike & latch body
- Countersunk head screw M4 x 20, M4 x 25 (SUS) for square handle

Dimensions

HC-3051-CLD-NI is shown.



Cut Out Dimensions



SLIDING DOOR SYSTEM DIGEST (P.666 - 687)

