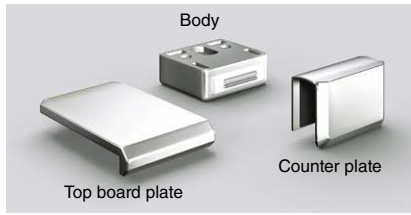


MAGNETIC CATCH

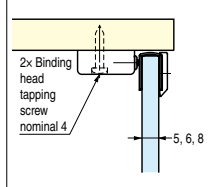
XL-GC09-CR



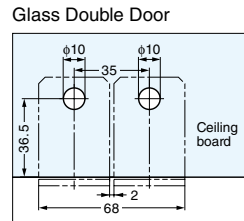
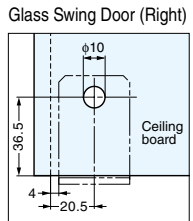
Features

- Magnetic catch for cabinet door.
- Both for glass and wood ceiling board.
- Total cabinet design available with XL-GC01 (P.337), XL-GC02 (P.337) and XL-GC01-CR (P.337)
- Recommended to use with XL-G01-CR, XL-GC02, handles or knobs.

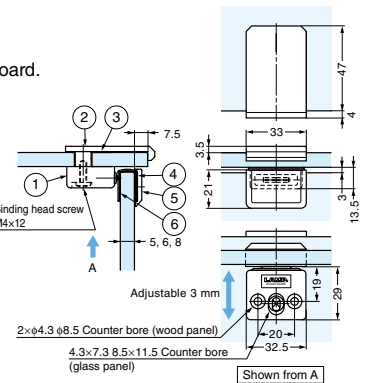
Application (Wood Panel)



Cut Out Dimensions



Item Code	Item Name	Glass Thickness	Magnetic Force	Weight	Box	Carton
140-017-556	XL-GC09-CR	5, 6, 8	14.7 N	1.5 kgf	110 g	1 pc / 24 pcs

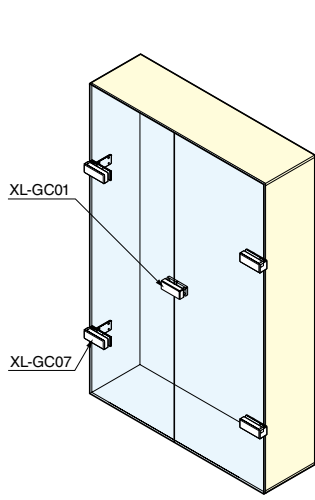


No.	Part Name	Material	Finish/Colour
①	Body	Zinc Alloy (ZDC)	Chrome
②	Top Board Plate	Zinc Alloy (ZDC)	Chrome
③	Spacer	Rubber	Black
④	Strike	Steel	Chrome
⑤	Counter Plate	Zinc Alloy (ZDC)	Chrome
⑥	Gasket	Foam Rubber	Black

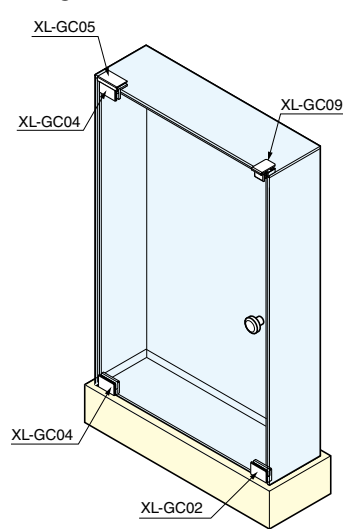
GLASS SHOWCASE HARDWARE SERIES DIGEST

XL-GC

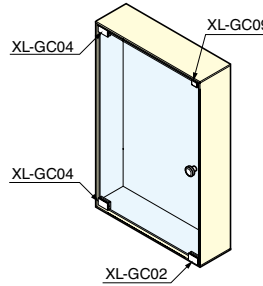
Double Door



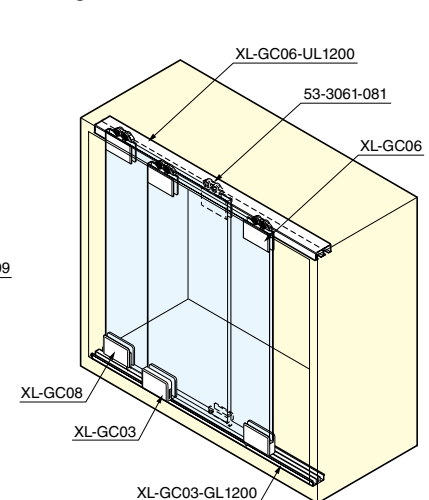
Swing Door



Can be installed on wooden cabinet.



Sliding Door



Locks

Part Name	Item Name	Image	Page
For Double Doors	XL-GC01-CR		P.337
For Swing Doors	XL-GC02-CR		
For Sliding Doors	XL-GC03-CR		

Hinges

Part Name	Item Name	Image	Page
Inset Type	XL-GC04-CR		P.449
Overlay Type	XL-GC07-CR		
Glass Bracket	XL-GC05-CR		

Sliding Door Hardware

Part Name	Item Name	Image	Page
Upper Bracket	XL-GC06-CR		P.642
Bottom Guide Bracket	XL-GC08-CR		

Catch

Part Name	Item Name	Image	Page
Magnetic Catch	XL-GC09-CR		Above