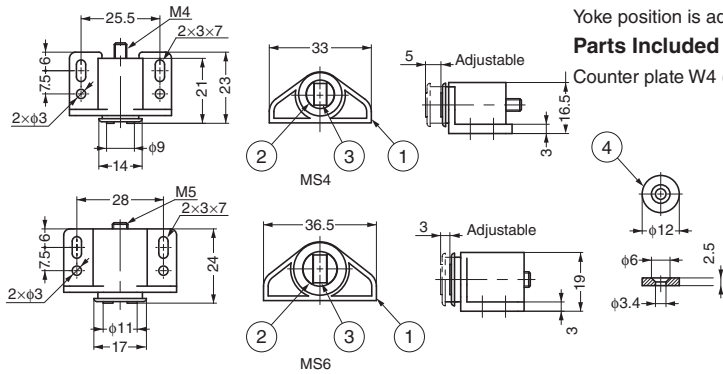
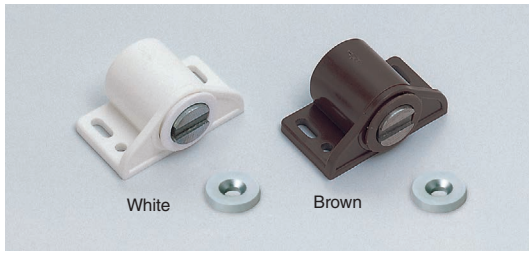


MAGNETIC CATCH

MS



Features

Yoke position is adjustable

Parts Included

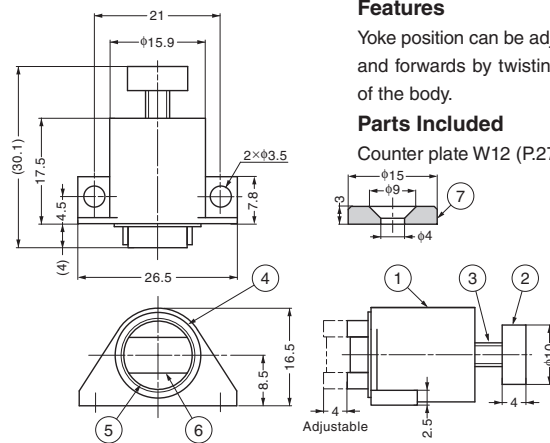
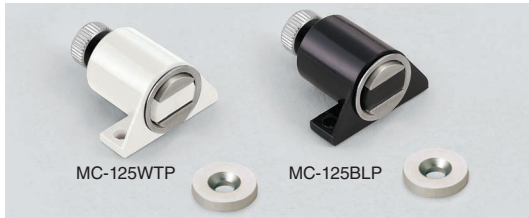
Counter plate W4 (P.273)

No.	Material	Finish/Colour
①	Plastic	White, Brown
②	Steel (Yoke)	Plain
③	Ferrite	-
④	Steel	Yellow Zinc Chromate

Item Code	Item Name	Colour	A	P ₁	D ₁	D ₂	d	H	L	Magnetic Force N	Magnetic Force kgf	Weight	Carton
140-050-506	MS4WP	White	33	25.5	9	14	M4	16.5	6	23.5 N	2.4 kgf	11.7 g	1,000 pcs
140-050-507	MS4BRP	Brown	33	25.5	9	14	M4	16.5	6	23.5 N	2.4 kgf	11.7 g	1,000 pcs
140-050-508	MS6WP	White	36.5	28	11	17	M5	19	3	39.2 N	4 kgf	17.7 g	1,000 pcs
140-050-509	MS6BRP	Brown	36.5	28	11	17	M5	19	3	39.2 N	4 kgf	17.7 g	1,000 pcs

MAGNETIC CATCH

MC-125



Features

Yoke position can be adjusted 4mm backwards and forwards by twisting the dial on the back of the body.

Parts Included

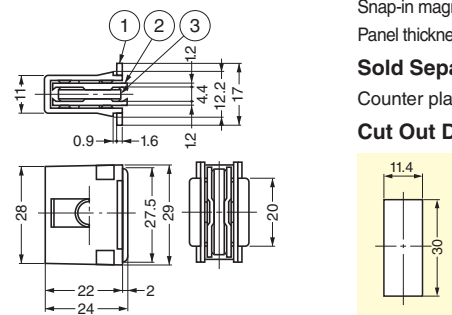
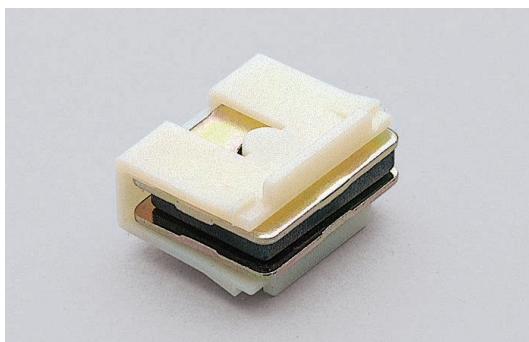
Counter plate W12 (P.273)

No.	Part Name	Material	Finish/Colour
①	Body	ABS	White, Black
②	Knob	Brass	Nickel
③	Bolt	ABS	White, Black
④	Tube	Brass	Nickel
⑤	Yoke	Steel	Clear Zinc Chromate
⑥	Magnet	Ferrite	-
⑦	Counter Plate	Steel	Nickel

Item Code	Item Name	Colour	Magnetic Force N	Magnetic Force kgf	Weight	Box	Carton
140-021-954	MC-125WTP	White	24.5 N	2.5 kgf	14.5 g	20 pcs	1,000 pcs
140-021-955	MC-125BLP	Black	24.5 N	2.5 kgf	14.5 g	20 pcs	1,000 pcs

MAGNETIC CATCH (SNAP-IN TYPE)

MC-SS30



Features

Snap-in magnetic catch for sheet metal applications. Panel thickness: 0.8 mm

Sold Separately

Counter plate (SUS) MC-JM49 (P.273)

Cut Out Dimensions

Body

Item Code	Item Name	Door Thickness	Magnetic Force N	Magnetic Force kgf	Weight	Box	Carton
140-050-036	MC-SS30	0.8	29.4 N	3 kgf	22 g	60 pcs	600 pcs

Counter Plate (Sold Separately)

Item Code	Item Name
140-050-149	MC-JM49

No.	Material	Finish/Colour
①	ABS	Ivory
②	Steel (Yoke)	Yellow Zinc Chromate
③	Ferrite	-