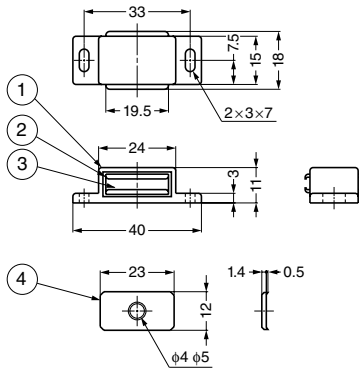
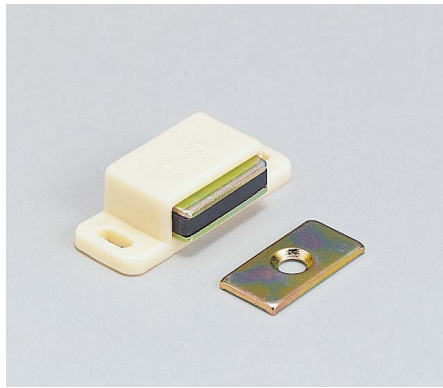


MAGNETIC CATCH



MC-FM20S

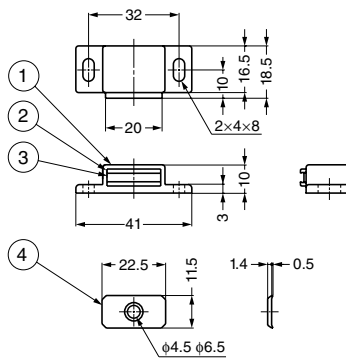
Parts Included

- Round head wood screw 3.1×13 2 pcs
- Countersunk head wood screw 2.9×13 1 pc

No.	Material	Finish/Colour
①	Polyethylene (PE)	Ivory
②	Steel (Yoke)	Yellow Zinc Chromate
③	Ferrite	-
④	Steel	Yellow Zinc Chromate

Item Code	Item Name	Magnetic Force N	Magnetic Force kgf	Weight	Box	Carton
140-050-048	MC-FM20S	9.8 N	1 kgf	15 g	36 pcs	720 pcs

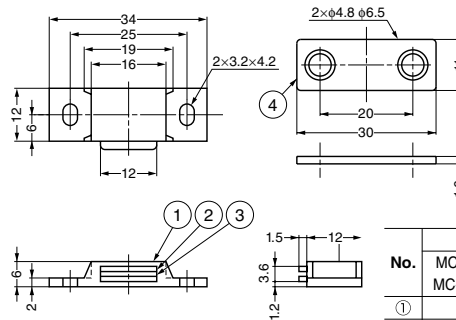
MAGNETIC CATCH



No.	Material	Finish/Colour
①	Polyethylene (PE)	Black, White
②	Steel (Yoke)	Clear Zinc Chromate
③	Ferrite	-
④	Steel	Clear Zinc Chromate

Item Code	Item Name	Colour	Magnetic Force N	Magnetic Force kgf	Weight	Box	Carton
140-050-331	MC0097W	White	14.7 N	1.5 kgf	12 g	100 pcs	1,000 pcs
140-050-329	MC0097W-1	White	34.3 N	3.5 kgf	12 g	100 pcs	1,000 pcs
140-050-332	MC0097B	Black	14.7 N	1.5 kgf	12 g	100 pcs	1,000 pcs
140-050-330	MC0097B-1	Black	34.3 N	3.5 kgf	12 g	100 pcs	1,000 pcs

MAGNETIC CATCH



MC-YS

Features

- Ultra thin magnetic catch ideal for tight space.
- Extra strong magnetic force: MC-YS001, MC-YS001P
- Weaker magnetic force: MC-YS002, MC-YS002P

Parts Included (MC-YS001P, MC-YS002P)

- Countersunk head wood screw 2.7×13
- Countersunk head wood screw 3.1×13

No.	Material		Finish/Colour	
①	MC-YS001- MC-YS001P	MC-YS002- MC-YS002P	MC-YS001- MC-YS001P	MC-YS002- MC-YS002P
①	PBT		White	
②	Steel		Yellow Zinc Chromate / Clear Zinc Chromate	
③	Neodymium	Ferrite	Nickel	-
④	Steel		Yellow Zinc Chromate	

Item Code	Item Name	Type	Magnetic Force N	Magnetic Force kgf	Weight	Box	Carton
140-050-298	MC-YS001	Magnetic Catch Only	29.4 N	3 kgf	6 g	100 pcs	1,000 pcs
140-050-296	MC-YS001P	Magnetic Catch-Strike Plate & Screws	29.4 N	3 kgf	6 g	100 pcs	1,000 pcs
140-050-297	MC-YS002	Magnetic Catch Only	12 N	1.2 kgf	5 g	100 pcs	1,000 pcs
140-050-295	MC-YS002P	Magnetic Catch-Strike Plate & Screws	12 N	1.2 kgf	5 g	100 pcs	500 pcs

