

PUSH KNOB LATCH



AK-60



Features

- Prevents unintended opening of flap doors and doors due to shaking from events like earthquakes.
- Installed on the interior of flap doors and doors, removing the need for handles or knobs, creating a seamless outward appearance.
- Operation is easy. Closing the flap or door causes the unit to automatically latch. Opening the flap or door is easy by just pushing on it.
- Can be installed on either the bottom or top of storage cabinets and similar items.
- Cover for the cut end available (sold separately)

Recommended Application

Door thickness: Min. 18 mm
 Door size: H: max. 700 mm x W max. 500 mm
 Thickness of top board or bottom board: 25 mm
 (use spacer in case 20 mm or 15 mm)

* 25 mm-thick board: screw for mounting counter plates = 3.5x15

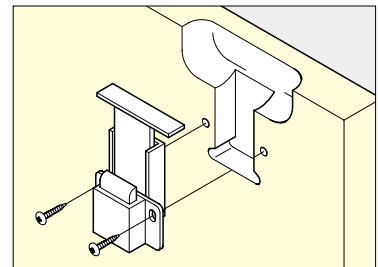
* 20 mm or 15 mm-thick board: screw for mounting counter plates = 3.5x20

Parts Included

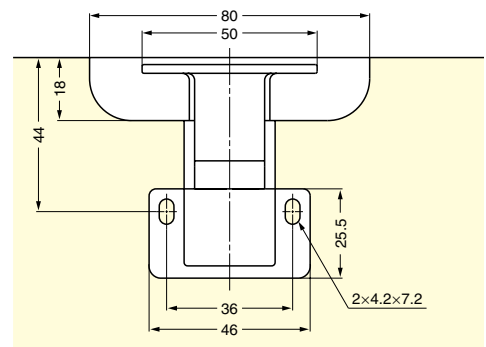
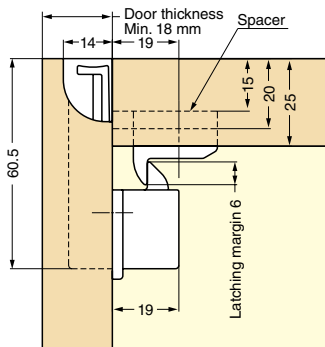
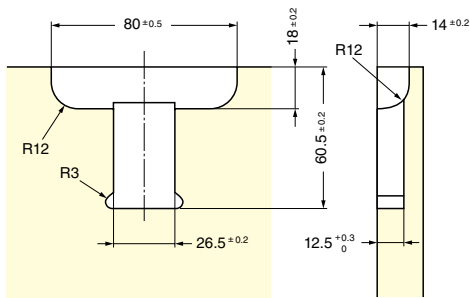
Binding head tapping screw
 3.5x15, 3.5x20, 4.0x15 (SUS)

Sold Separately

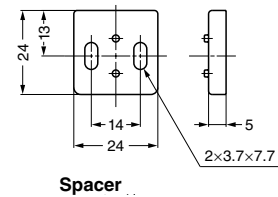
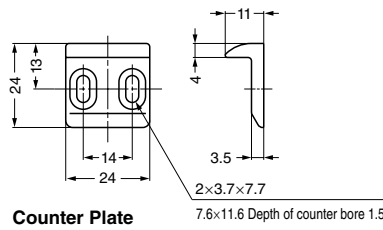
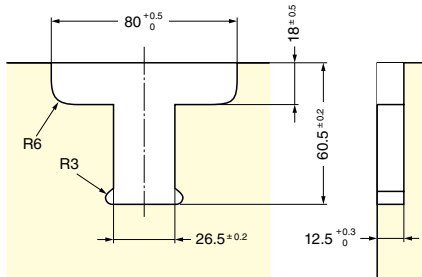
Cover for the cut end of board:
 AK-C60 (below)



Bore Dimensions (Door)



Bore Dimensions (Using the Cover for the Cut End of Board)



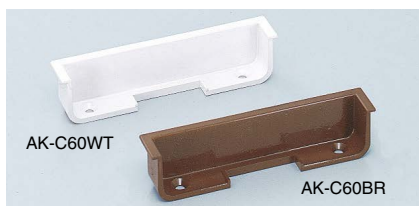
Part Name	Material	Colour
Latch Body	ABS/Polyacetal (POM)	White, Brown
Counter Plate	Polyamide (PA)	White, Brown
Spacer	Polyamide (PA)	White, Brown

Item Code	Item Name	Colour	Retaining Force	Weight	Box	Carton
140-050-215	AK-60WT	White	196 N	20 kgf	41 g	20 pcs / 200 pcs
140-050-214	AK-60BR	Brown	196 N	20 kgf	41 g	20 pcs / 200 pcs

COVER FOR THE CUT END OF BOARD



AK-C60



Features

Cover for the cut end of board for AK-60.

Parts Included

Countersunk head tapping screw 3x10 (SUS)

Item Code	Item Name	Colour	Weight	Box	Carton
140-050-213	AK-C60WT	White	28 g	50 pcs	500 pcs
140-050-212	AK-C60BR	Brown	28 g	50 pcs	500 pcs