

PUSH KNOB LATCH

TEST METHOD 11

STEEL

SL-G25, SL-GB25



SL-G25L-I

Features

- Unit is composed of knob and slide latch.
- Wide push button makes operating (opening and closing) easy
- Suitable for doors between 18-25mm thick

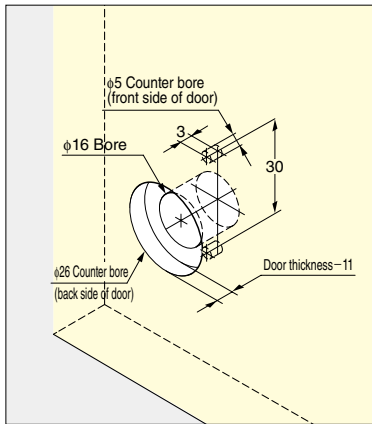
Parts Included

Pan head tapping screw 3×14

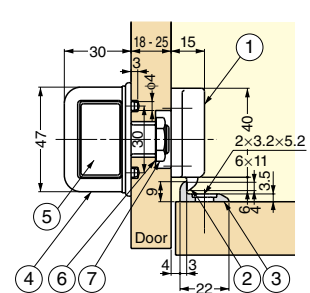
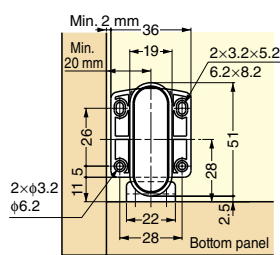
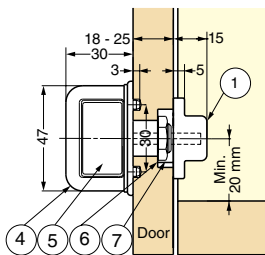
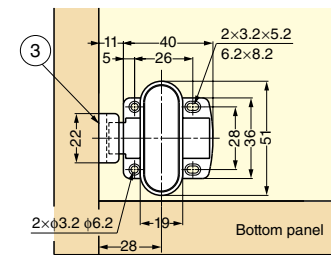
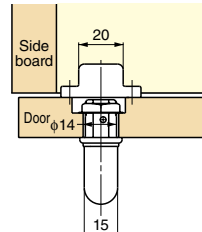
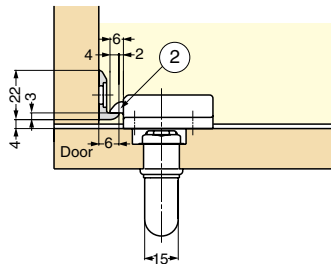
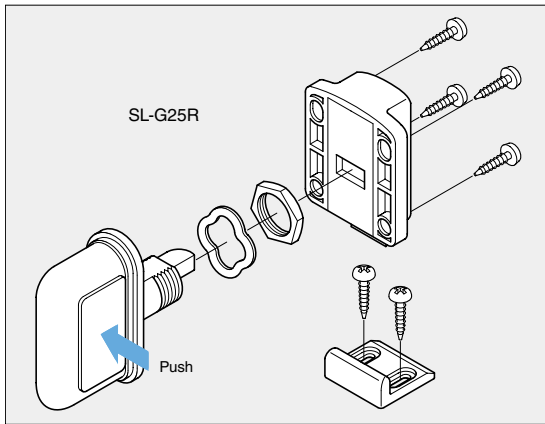
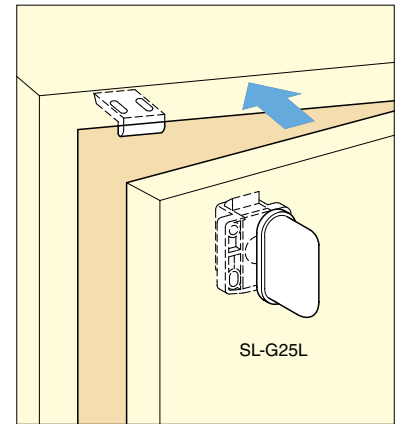
CATCHES & LATCHES

PUSH KNOB LATCH

Bore Dimensions (Door)



Application Example



Dimension above: SL-GB25

Dimension above: SL-G25R

Item Code	Item Name	Colour	Retaining Force N	Retaining Force kgf	Weight	Box	Carton
140-060-030	SL-G25L-I	Ivory	156.8 N	16 kgf	32.5 g	20 pcs	200 pcs
140-060-022	SL-G25R-I	Ivory	156.8 N	16 kgf	32.5 g	20 pcs	200 pcs
140-060-038	SL-GB25-I	Ivory	156.8 N	16 kgf	32.5 g	20 pcs	200 pcs

No.	Part Name	Material	Finish/Colour
①	Body	Polyamide (PA)	Ivory
②	Latch	Polyamide (PA)	Ivory
③	Counter Plate	Polyacetal (POM)	Ivory
④	Knob	ABS	Ivory
⑤	Lever	Polyacetal (POM)	Ivory
⑥	Washer (φ14)	Spring Steel	-
⑦	Nut (M14)	Steel	Yellow Zinc Chromate