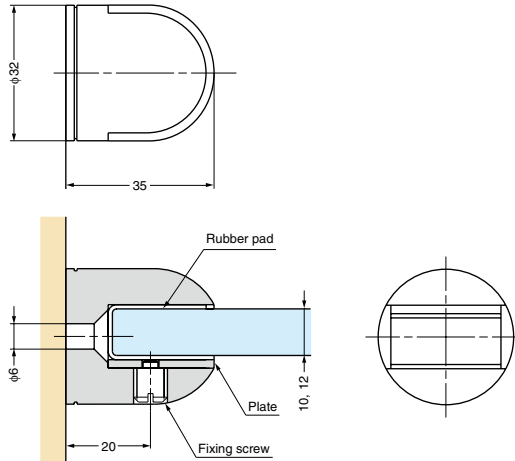
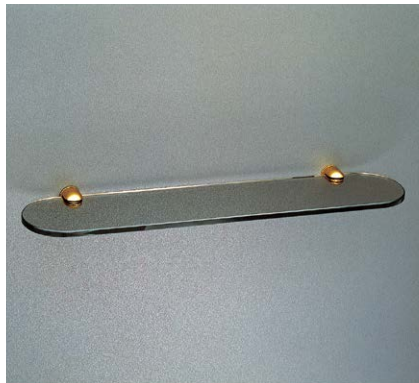


## GLASS SHELF CLAMP



## SPV-G01-GP



### Features

- Pre-drilling on glass not required.
- Glass thickness : 10 mm or 12 mm.

### Remarks

- Sold in pairs.
- Compatible with glass sizes up to 600mm width, 200mm depth.

### Parts Included

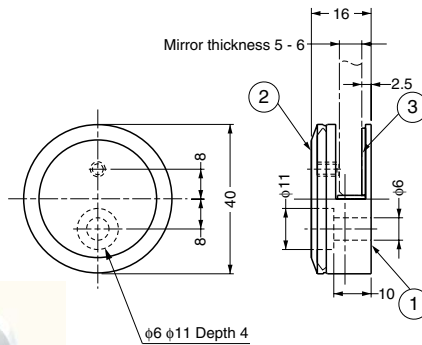
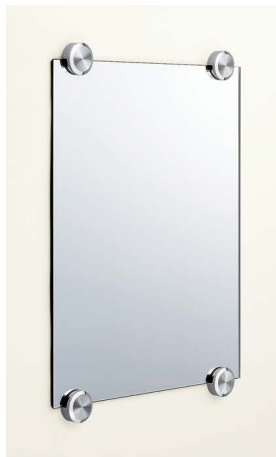
- Countersunk head wood screw 5.1x32
- Allen key

Item Code	Item Name	Glass Thickness	Material	Finish	Weight	Box	Carton
120-173-651	SPV-G01-GP	10 or 12	Brass	24K Gold	134 g	2 pcs	40 pcs

## Zwei L MIRROR SUPPORT



## ZL-3102-40



### Features

- Made of highly corrosion resistant SUS316
- Ultrapremium Zwei L finish. Zwei L finish: Using top class polishing technology, these products combine the elegance of Satin with the deep glow of a Mirror.

### Remarks

- Mirror not included.
- Sold by piece.

### Parts Included

- Round head wood screw 5.1x45 (SUS)
- Wall plug
- Hex key

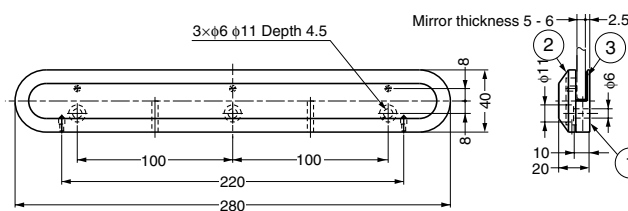
No.	Part Name	Material	Finish/Colour
①	Body	Stainless Steel (SUS316)	Zwei L Finish
②	Cover	Stainless Steel (SUS316)	Zwei L Finish
③	Bumper	Rubber	Black

Item Code	Item Name	Mirror Thickness	Weight	Box
120-031-006	ZL-3102-40	5 - 6	148 g	4 pcs

## Zwei L MIRROR SUPPORT



## ZL-3101-200



### Features

- Made of highly corrosion resistant SUS316
- Ultrapremium Zwei L finish. Zwei L finish: Using top class polishing technology, these products combine the elegance of Satin with the deep glow of a Mirror.

### Remarks

- Mirror not included.
- Sold by piece.

### Parts Included

- Round head wood screw 5.1x45 (SUS)
- Wall plug
- Hex key

No.	Part Name	Material	Finish/Colour
①	Body	Stainless Steel (SUS316)	Zwei L Finish
②	Cover	Stainless Steel (SUS316)	Zwei L Finish
③	Bumper	Rubber	Black

Item Code	Item Name	Mirror Thickness	Weight	Box
120-031-005	ZL-3101-200	5 - 6	1192 g	1 pc