

3-WAY ADJUSTABLE CONCEALED HINGE HES3D-120-A100 100° Opening



- Can limit opening angle when used in combination with door restrictors.
- The small bore depth (21 mm) allows for easy mortising of doors and frames.
- Vertical, horizontal, and depth adjustments are available even post installation.
- Easy and quick installation features:
 - Can separate into two parts during installation. (One is for doors. The other is for frames.)
 - Can be provisionally hung on doors before fixing the screws.

[Remarks]

- Please use with door restrictors or door stoppers to prevent doors from opening over 100°.
- When using with door dampers or door closers, please chose from the LDD-S, LDD-V, and LDC-N2. Please note that the door weight should meet moment conditions of both door closers and door dampers.
- Please note that there is a possibility that the hinge will be damaged or will not close fully depending on the door closers used. Please confirm in advance
- When using a concealed door closers, the HES3D-160 is recommended.

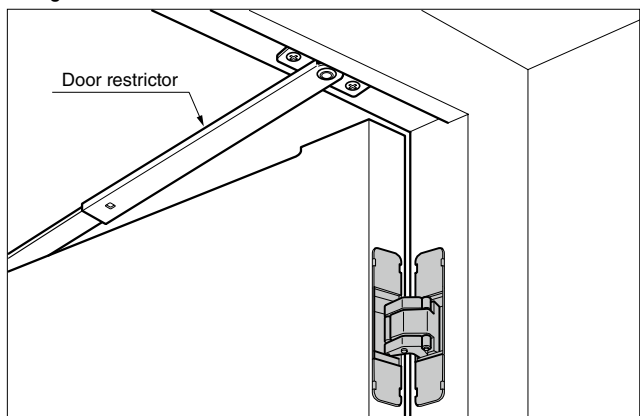
[Parts Included]

- Cross-recessed countersunk tapping screw 5×20 4 pcs (made of stainless steel)
- Hex key spanner 3

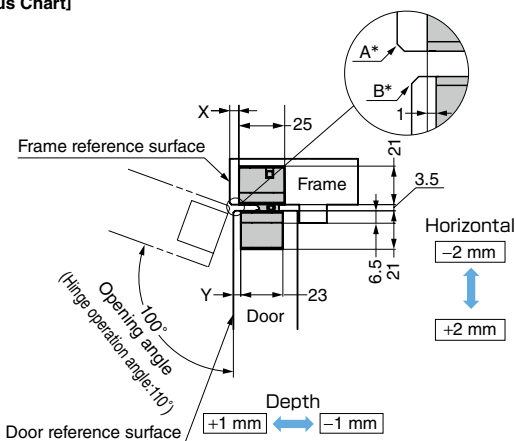
[Optional Parts]

- HES3D-120TMP, installation template 1 (This reusable jig allows for easy mortising of doors and frames using routers.)
- HES3D-120BKT, bracket for sheet metal 2

[Using with a Door Restrictor]

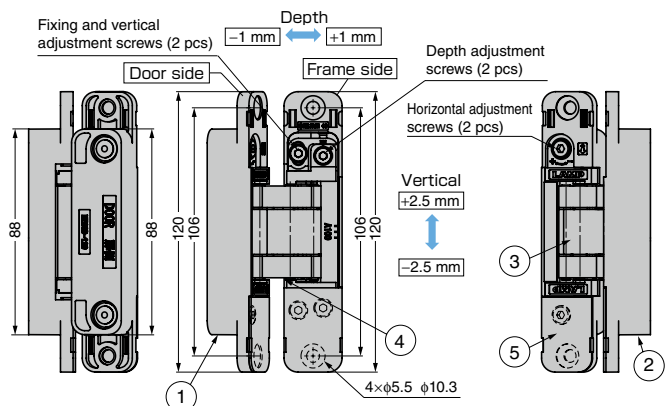


[Locus Chart]



Y : Door Clearance	B : Door Chamfering	X : Frame Clearance	A : Frame Chamfering
4	1	5	1
	2	6	2
5	3	7	3
		5	

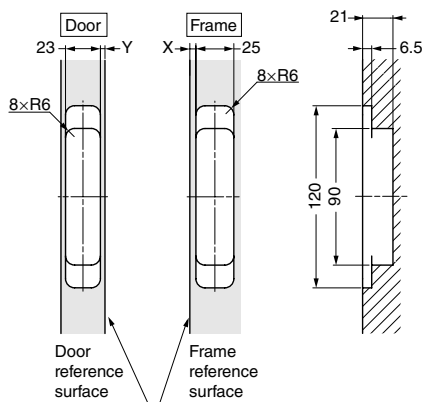
The table above shows the clearance and chamfering required for the door to open properly.



*The upper screw covers are removed in the drawing above.

No.	Part Name	Material	Finish/Colour		
			DC	DN	BL
①	Body	Zinc Alloy (ZDC)	Satin Chrome	Satin Nickel	Black
②	Base Frame				
③	Arm	Stainless Steel	-	-	-
④	Shaft				
⑤	Screw Cover (Door side: 2 pcs) (Frame side: 2 pcs)	ABS	Satin Chrome	Satin Nickel	Black

[Cut Out Dimensions]



RoHS	CAD	Item Code	Item Name	Finish	Door Specs			Load Capacity				Opening Angle	Box (pcs)	Carton (pcs)
					Width	Height	Thickness	N / 2 pcs	kgf / 2 pcs	N / 3 pcs	kgf / 3 pcs			
✓	2D3D	170-044-569	HES3D-120-A100DC	Silver	Max. 900	Max. 2400	Min. 29	294	30	392	40	100°	2	24
✓	2D3D	170-044-570	HES3D-120-A100DN	Champagne Gold										
✓	2D3D	170-044-571	HES3D-120-A100BL	Black										

Refer to 1: No.240A P.474 2: No.240A P.475