

PIVOT TORQUE HINGE HG-PTH30



- No tools are needed to attach and detach doors, allowing for easy maintenance.
- The safety retainer prevents doors and windows from falling off.

[Remarks]

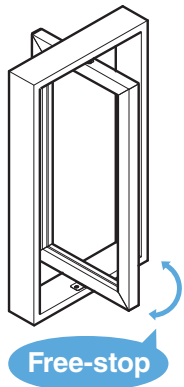
- Be sure to read the "Cautions"
- When installing, ensure that both hinge shafts are leveled and aligned.
- Force for operation varies depending on use environment, including air temperature and wind.
- Do not use with a door and window enduring strong wind pressure.

[Parts Included]

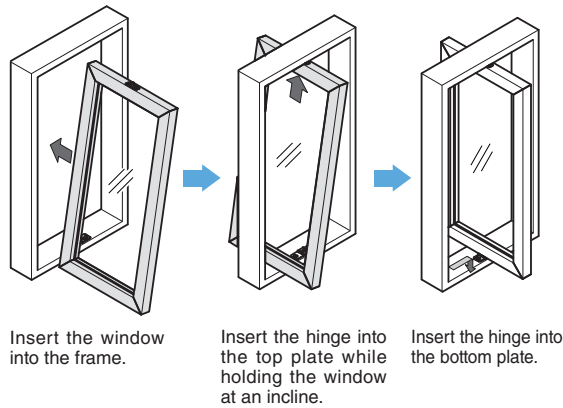
- Binding head tapping screw 4x20 (for the pivot hinge)
- Countersunk head tapping screw 4x20 (for the mouting plates and torque hinge)



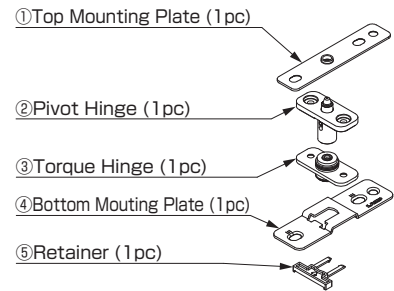
[Holds in any position]



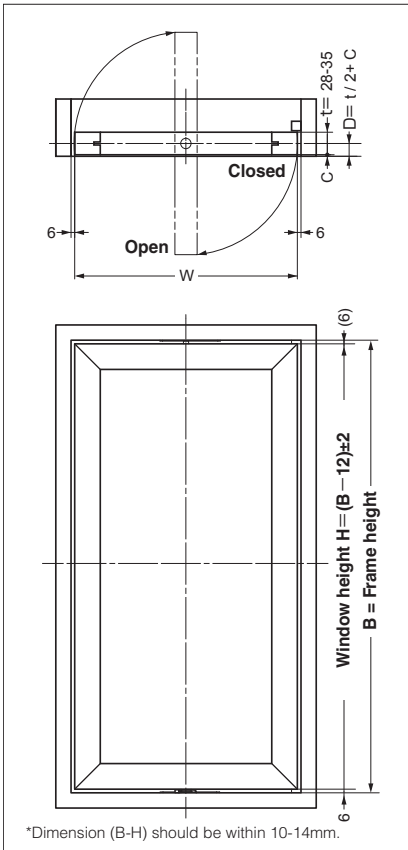
[Easy Installation]



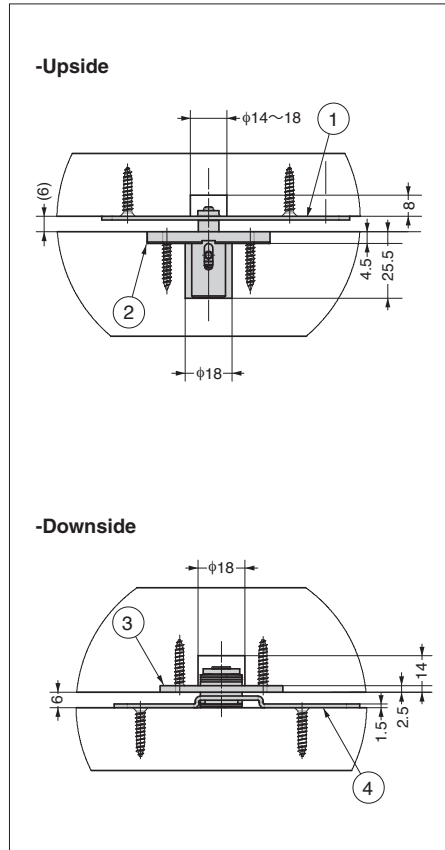
[Component Parts]



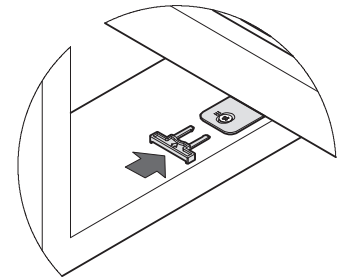
[Installation]



[Detailed Drawings]

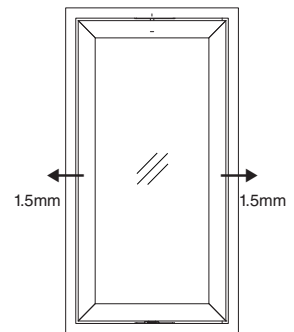


[Prevents Doors From Falling Off]



The retainer prevents doors from falling off. It only needs to be inserted into the bottom plate.

[Adjustable Side Spaces]



Can be adjusted horizontally after installation.

Sold in sets of two hinges.

RoHS	CAD	Item Code	Item Name	Material	Door Width	Door Height	Door Thickness	Door Weight kg/set	Weight (g)	Box (set)	Carton (set)
		170-043-673	HG-PTH30	Stainless Steel	350-500	700-1200	28-35	Max. 10	95	15	120

Refer to : No.280 P.15

