

## TORQUE HINGE HG-TP



● A combination of plastic and metal is used for friction in order to prevent metallic dust caused by metal to metal contact.

**[Specifications]**

- Operating temperature: -10°C~40°C
- Can be used in both vertical and horizontal directions.

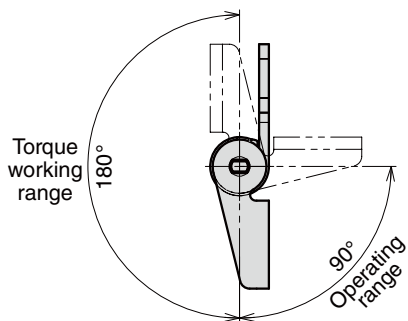
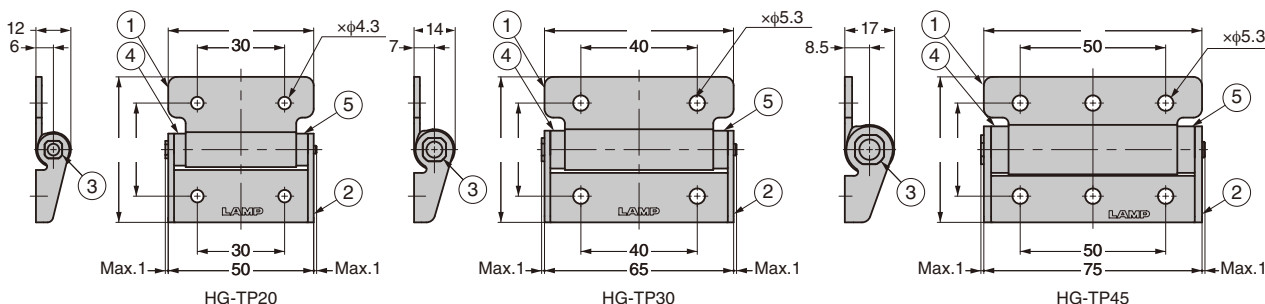
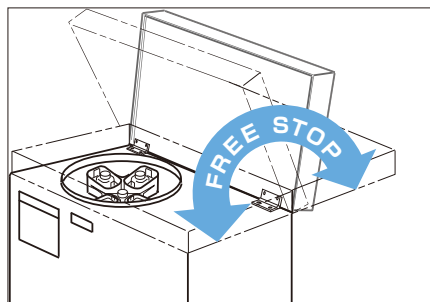
**[Applications]**

- Stereo equipment, FA equipment, and various automatic equipment

**[Remarks]**

- Be sure to read the "Cautions" **1**.
- Ensure that hinge shafts are leveled and aligned.
- Install a lid to the bracket A.

**[Application Example]**



No.	Part Name	Material	Finish / Colour
①	Bracket A	Stainless Steel (SUS304)	Barrel Polished
②	Bracket B		
③	Shaft	Stainless Steel (SUS303)	—
④	Plug	POM	Black
⑤	Washer		

**S**election Tool  
**Sasuga-kun**  
Applicable Products  
Used for Product Selection & Simulation.  
Available on Web!

RoHS	CAD	Item Code	Item Name	Torque N.m/pc	Torque kgf.cm/pc	Weight (g)	Box (pc)	Carton (pc)
		170-043-653	HG-TP20	2 <sup>±25%</sup>	20.3 <sup>±25%</sup>	60	50	200
		170-043-654	HG-TP30	3 <sup>±25%</sup>	30.5 <sup>±25%</sup>	90	25	100
		170-043-655	HG-TP45	4.5 <sup>±25%</sup>	45.8 <sup>±25%</sup>	150	25	100

Refer to **1** : No.280 P.15