

GLASS DOOR LOCK GS-GL3



Application	Door Material	Key Changes	Master Key	When Unlocked	Total Lock
Single swing door	Glass	120	—	KF : Removable KT : Unremovable (key)	2650 Series*

*Available with the 22 and 30 mm thick types. The 16 mm thick type is not compatible.

- Cylinder lock designed for glass showcases.
- Comes in two key types:
 - One is removable when locked, and the other is not.
- The locking direction can be changed by turning the case lock and cylinder.
- The strike plate also works as a door stopper, providing stable locking operation.
- The only drilling required for the cabinet is a round hole. This makes the installation very quick.

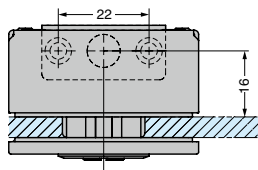
[Remarks]

- Note that scratches on the black type may become conspicuous. Please handle it with care during installation.
- Shatter proof film is recommended to be used on glass for safety.

[Parts Included]

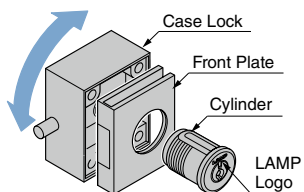
- Cross-recessed countersunk tapping screw 3 × 14
- Key
- Strike plate

[Round Dead Bolt]

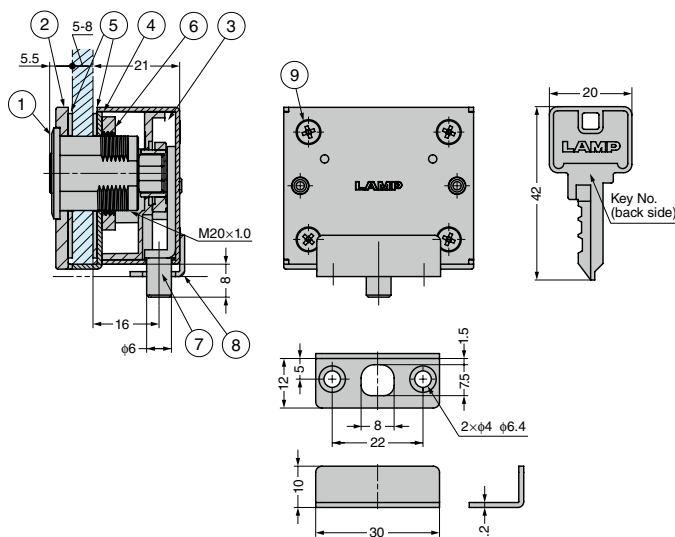
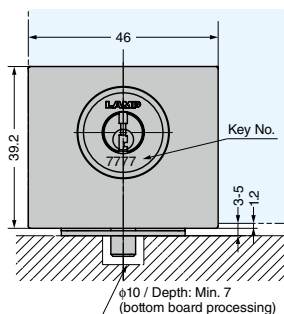


Only processing required for boards is a $\phi 10$ mm drilling.

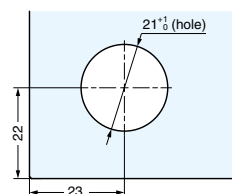
[Change Locking Direction]



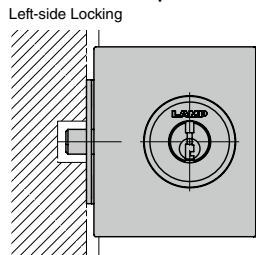
1. Remove the cylinder from the front plate.
2. Turn the case lock and front plate to the desired direction.
3. Fix them with nuts or screws. (Make sure the LAMP logo of the cylinder is always in the right direction.)



[Cut Out Dimensions]



[Installation Example]



No.	Part Name	Material	Finish		
			CR	GP	BL
①	Cylinder	Zinc Alloy (ZDC)	Chrome	Gold Plated (24K)	Black Chrome
②	Front Plate			Enamel Black	
③	Case Lock	Steel (SPCC)		Enamel Black	
④	Back Plate			Clear Zinc Chromate	
⑤	Packing	Chloroprene Rubber (CR)	-		
⑥	Nut	Steel (SPCC)	Clear Zinc Chromate		
⑦	Dead Bolt	Steel	Nickel		
⑧	Strike Plate	Steel (SPCC)	Enamel Black		
⑨	Cross-recessed countersunk screw M3 × 20	Steel	Black Chrome		

RoHS	CAD	Item Code	Item Name	Finish	Key Type	Glass Thickness	When Unlocked	Key Removal	Key Rotation Angle	Box (pcs)	Carton (pcs)
-	●	150-047-087	GS-GL3-KF-CR-B	Chrome	Key Different	5 - 8	Key is removable	Two Areas	360°	12	24
-	●	150-001-169	GS-GL3-KF-CR-D		Key Alike					12	24
-	●	150-047-088	GS-GL3-KF-GP-B	Gold Plated (24K)	Key Different					12	24
-	●	150-001-170	GS-GL3-KF-GP-D		Key Alike					12	24
-	●	150-047-089	GS-GL3-KF-BL-B	Black	Key Different					12	24
-	●	150-001-171	GS-GL3-KF-BL-D		Key Alike					12	24
-	●	150-047-084	GS-GL3-KT-CR-B	Chrome	Key Different		Key is NOT removable	One Area	90°	12	24
-	●	150-001-166	GS-GL3-KT-CR-D		Key Alike					12	24
-	●	150-047-085	GS-GL3-KT-GP-B	Gold Plated (24K)	Key Different					12	24
-	●	150-001-167	GS-GL3-KT-GP-D		Key Alike					12	24
-	●	150-047-086	GS-GL3-KT-BL-B	Black	Key Different					12	24
-	●	150-001-168	GS-GL3-KT-BL-D		Key Alike					12	24