

DOORSTOP STRIKE PLATE GS-GL5HTU



- Combines the functions of a strike plates and a door stopper. Compact and easy to install.
- Allows for 8-level depth adjustment depending on door fitting.
- Can be used with the glass door cam lock, GS-GL5 **1** and GS-GL5W **2**. (As the GS-GL5W already includes this, there is no need to order separately in that case.)

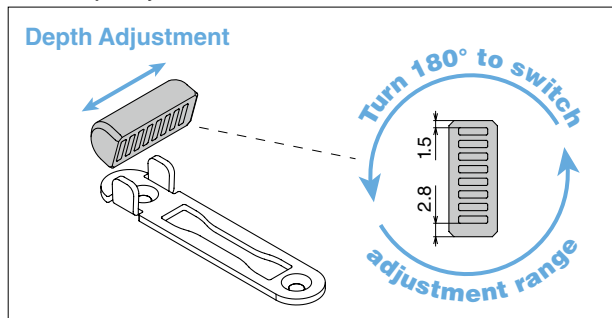
[Remarks]

- Installation direction is different for the GS-GL5 **1** and GS-GL5W **2**.

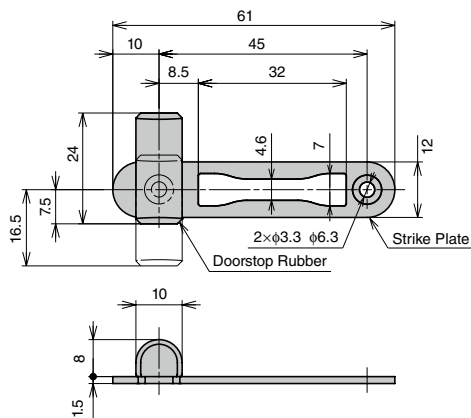
[Parts Included]

- Countersunk head wood screw 2.7 × 13

[8-level Depth Adjustment]



Allows for 4-level depth adjustment by changing the slits to insert. When turned 180°, additional 4-level adjustment are available. (Total 8-level)



RevS	CAD	Item Code	Item Name	Finish/Colour	Weight (g)	Box (pcs)	Carton (pcs)
G	2d3d	150-043-977	GS-GL5HTU-SM	Plain	9	60	360
G	2d3d	150-043-978	GS-GL5HTU-GA	Gold		60	360
G	2d3d	150-043-979	GS-GL5HTU-BL	Black		60	360

Part Name	Material	Finish/Colour
Strike Plate	Stainless Steel (SUS304)	-
Doorstop Rubber	EPDM	Black
Included Screws	-SM	Stainless Steel
	-GA	Stainless Steel
	-BL	Steel (SWCH)
		Black Chrome

Refer to **1** : No.240A P.309-9 **2** : Additional Products Catalogue for 240A : P.E2