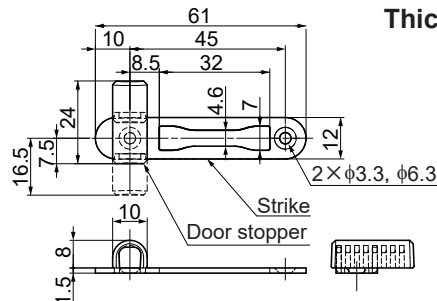
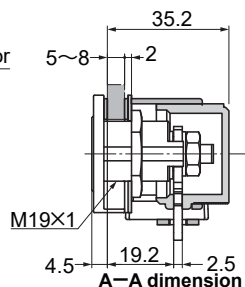
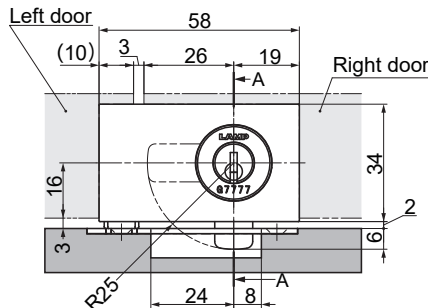


LAMP® GS-GL5W SWING DOOR LOCK INSTALLATION MANUAL

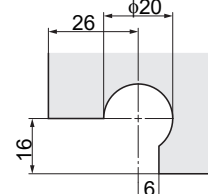
Thank you for selecting our product. Before starting installation, please read this manual thoroughly to ensure correct installation. Please keep this manual at hand for future reference.

DIMENSIONS



GLASS CUTOUT Right door

Thickness : 5 ~ 8 mm

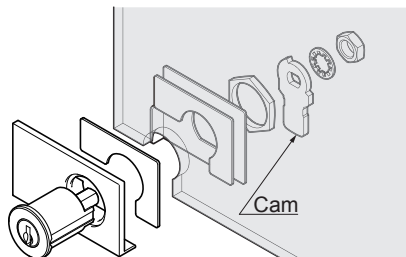


Cut Out Dimensions: Right door
(No cutout for left door)

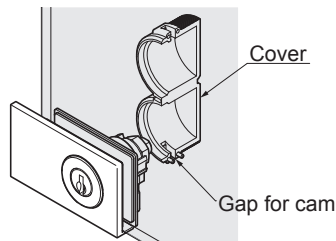
INSTALLATION

! It is recommended to use shatter-proof film on the glass. For areas where the glass brackets grip, make sure to remove the shatter-proof film before installing. Front - rear position of door is adjustable by shifting door stopper in eight steps.

1 Parts Assembly

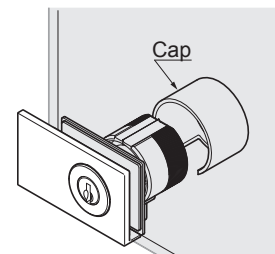


2 Assembling cover



3 Assembling Cap

Assemble from the rear.



■ ■
SUGATSUNE
■ ■

SUGATSUNE KOGYO CO.,LTD

Tokyo, JAPAN

Manufacturer of **LAMP** brand Products

Phone: +81 (0)3 3866 2260 E-mail: export@sugatsune.co.jp