

## ULTRA-THIN MAGNETIC CATCH MC-421

Ultra-thin



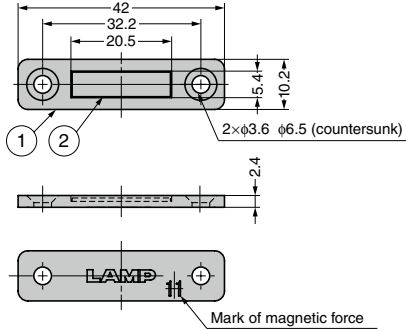
- Super-slim and compact design: 2.4 mm thick and 10.2 mm wide.

**[Remarks]**

- Be sure to read the "Cautions" **1**.
- Max. temperature: 80
- The counter plate should be in contact with the body.  
Direct contact may damage the magnet.

**[Recommended Screw]**

- Countersunk head wood screw M3



No.	Part Name	Material	Finish
①	Body	Steel (SPCC)	Nickel
②	Magnet	Neodymium	

RoHS	CAD	Item Code	Item Name	Magnetic Force N	Magnetic Force kgf	Weight (g)	Box (pcs)	Carton (pcs)
●	●	140-045-390	MC-421-11	11	1.1	6.4	250	1500
●	●	140-045-391	MC-421-30	30	3.1	6.6	250	1500

Refer to **1** : No.280 P.607

## ULTRA-THIN MAGNETIC CATCH MC-421SUS Stainless Steel

SUS

Ultra-thin



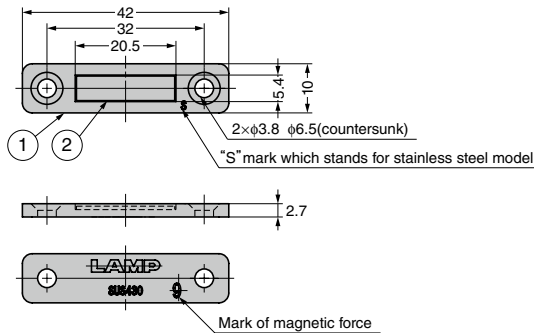
- Made of stainless steel for high corrosion resistance.
- Super-slim and compact design: 2.7 mm thick and 10 mm wide.

**[Remarks]**

- Be sure to read the "Cautions" **1**.
- Max. temperature: 80
- The counter plate should be in contact with the body.  
Direct contact may damage the magnet.

**[Recommended Screw]**

- Countersunk head wood screw M3



No.	Part Name	Material	Finish
①	Body	Stainless Steel (SUS430)	Barrel Polished
②	Magnet	Neodymium	Nickel

RoHS	CAD	Item Code	Item Name	Magnetic Force N	Magnetic Force kgf	Weight (g)	Box (pcs)	Carton (pcs)
●	●	140-045-392	MC-421SUS-9	9	0.9	6.9	250	1500
●	●	140-045-393	MC-421SUS-24	24	2.4	7.1	250	1500

Refer to **1** : No.280 P.607