

RAISED COUNTER BRACKET CTB65-VM60-300 60° / Wall-mounted / Front-screw



- Allows for additional floating countertops, expanding your countertop space.
- Designed to allow cables to be put through. (Max. diameter: $\phi 10.5$)

[Applications]

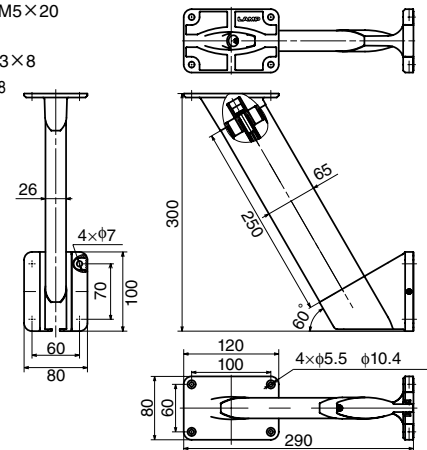
- Commercial reception counters, kitchens, serving bars, and more.

[Remarks]

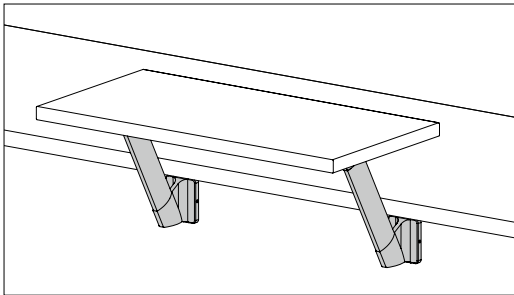
- Please make sure the support structure that the bracket will be attached to is strong enough to handle the load.
- Max. pitch of adjoining brackets is 900 mm.
- Max. size of countertop overhung is 1,000 mm in width and 400 mm in depth. (when using two brackets)
- Min. thickness of a countertop overhung is 20 mm.
- Min. thickness of a countertop that will support an additional countertop is 30 mm.

[Parts Included]

- Countersunk tapping screw M5 \times 20
- Hexagon top bolt M6 \times 40
- Hexagon countersunk bolt M3 \times 8
- Hexagon socket button bolt M3 \times 8
- Washer M3
- Hexagon wrench 2



[Installation]



RoHS	CAD	Item Code	Item Name	Angle	Mount	Screw	Colour Finish	Material	Load Capacity N / pc	Load Capacity kgf / pc	Weight (g)	Box	Carton
CE	2D/3D	120-041-436	CTB65-VM60-300-SL	60°	Wall-mounted	Front	Stainless Steel	Aluminium Alloy	600	61.2	930	1 pc	10 pcs
CE	2D/3D	120-041-437	CTB65-VM60-300-BL				Black					1 pc	10 pcs
CE	2D/3D	120-041-438	CTB65-VM60-300-WT				White					1 pc	10 pcs

RAISED COUNTER BRACKET CTB50-PM60-170 60° / Top-mounted / Back-screw / Slim-type



- Allows for additional floating countertops, expanding your countertop space.
- Designed to allow cables to be put through. (Max. diameter: $\phi 9.5$)
- Slim type: the bar is thinner than other CTB65 models.

[Applications]

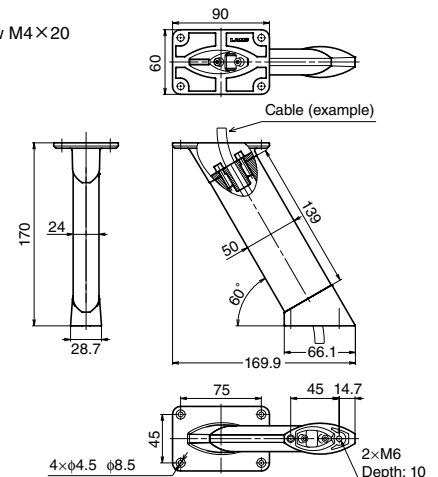
- Commercial reception counters, kitchens, serving bars, and more.

[Remarks]

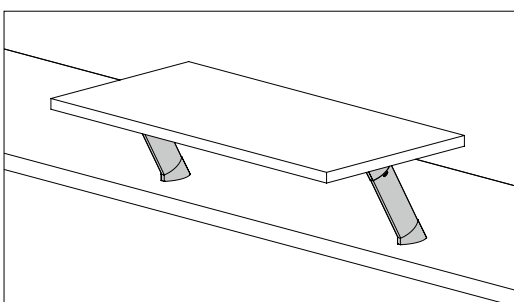
- Please make sure the support structure that the bracket will be attached to is strong enough to handle the load.
- Max. pitch of adjoining brackets is 900 mm.
- Max. size of countertop overhung is 1,000 mm in width and 400 mm in depth. (when using two brackets)
- Min. thickness of a countertop overhung is 20 mm.
- Min. thickness of a countertop that will support an additional countertop is 30 mm.

[Parts Included]

- Countersunk tapping screw M4 \times 20
- Hex head bolt M6 \times 40
- Washer 6
- Spring washer 6



[Installation]



RoHS	CAD	Item Code	Item Name	Angle	Mount	Screw	Colour Finish	Material	Load Capacity N / pc	Load Capacity kgf / pc	Weight (g)	Box	Carton
CE	2D/3D	120-044-785	CTB50-PM60-170-SL	60°	Top-mounted	Back	Stainless Steel	Aluminium Alloy	400	40.8	366	1 pc	10 pcs
CE	2D/3D	120-044-786	CTB50-PM60-170-BL				Black					1 pc	10 pcs
CE	2D/3D	120-044-787	CTB50-PM60-170-WT				White					1 pc	10 pcs