

RAISED COUNTER BRACKET CTB65-PMS90-270 90° / Top-mounted / Front-screw



- Allows for additional floating countertops, expanding your countertop space.
- Designed to allow cables to be put through. (Max. diameter: $\phi 10.5$)

[Applications]

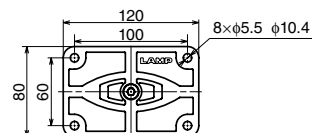
- Commercial reception counters, kitchens, serving bars, and more.

[Remarks]

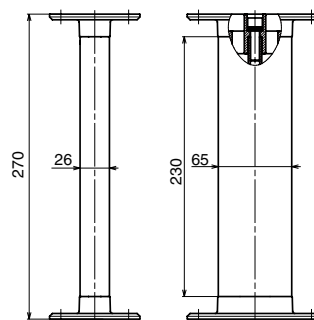
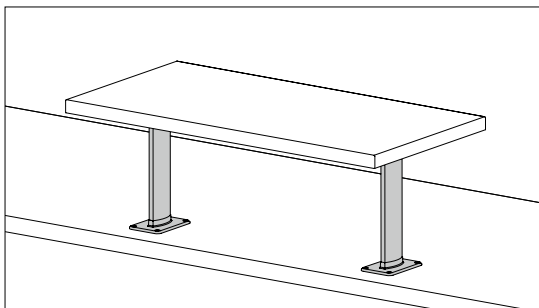
- Please make sure the support structure that the bracket will be attached to is strong enough to handle the load.
- Max. pitch of adjoining brackets is 900 mm.
- Max. size of countertop overhung is 1,000 mm in width and 400 mm in depth. (when using two brackets)
- Min. thickness of both countertops is 20 mm.

[Parts Included]

- Countersunk tapping screw M5×20



[Installation]



RoHS	CAD	Item Code	Item Name	Angle	Mount	Screw	Colour Finish	Material	Load Capacity N /pc	Load Capacity kgf /pc	Weight (g)	Box	Carton
CE	2D3D	120-041-439	CTB65-PMS90-270-SL	90°	Top-mounted	Front	Stainless Steel	Aluminium Alloy	600	61.2	595	1 pc	10 pcs
CE	2D3D	120-041-440	CTB65-PMS90-270-BL				Black					1 pc	10 pcs
CE	2D3D	120-041-441	CTB65-PMS90-270-WT				White					1 pc	10 pcs

RAISED COUNTER BRACKET CTB65-PM90-200 90° / Top-mounted / Back-screw



- Allows for additional floating countertops, expanding your countertop space.
- Designed to allow cables to be put through. (Max. diameter: $\phi 10.5$)

[Applications]

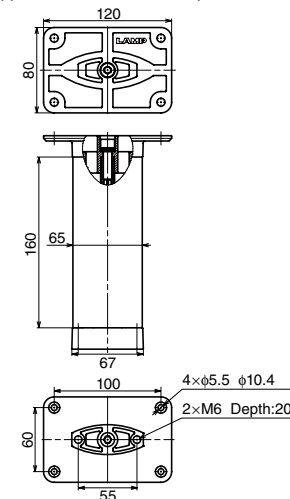
- Commercial reception counters, kitchens, serving bars, and more.

[Remarks]

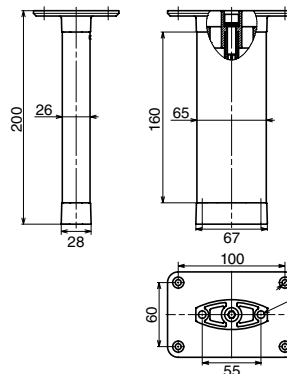
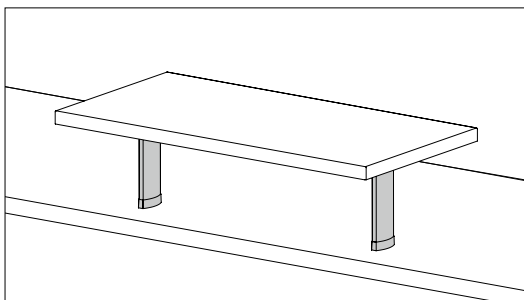
- Please make sure the support structure that the bracket will be attached to is strong enough to handle the load.
- Max. pitch of adjoining brackets is 900 mm.
- Max. size of countertop overhung is 1,000 mm in width and 400 mm in depth. (when using two brackets)
- Min. thickness of a countertop overhung is 20 mm.
- Min. thickness of a countertop that will support additional countertop is 30 mm.

[Parts Included]

- Countersunk tapping screw M5×20
- Hexagon top bolt M6
- Washer 6
- Spring washer 6



[Installation]



RoHS	CAD	Item Code	Item Name	Angle	Mount	Screw	Colour Finish	Material	Load Capacity N /pc	Load Capacity kgf /pc	Weight (g)	Box	Carton
CE	2D3D	120-041-430	CTB65-PM90-200-SL	90°	Top-mounted	Back	Stainless Steel	Aluminium Alloy	600	61.2	423	1 pc	10 pcs
CE	2D3D	120-041-431	CTB65-PM90-200-BL				Black					1 pc	10 pcs
CE	2D3D	120-041-432	CTB65-PM90-200-WT				White					1 pc	10 pcs